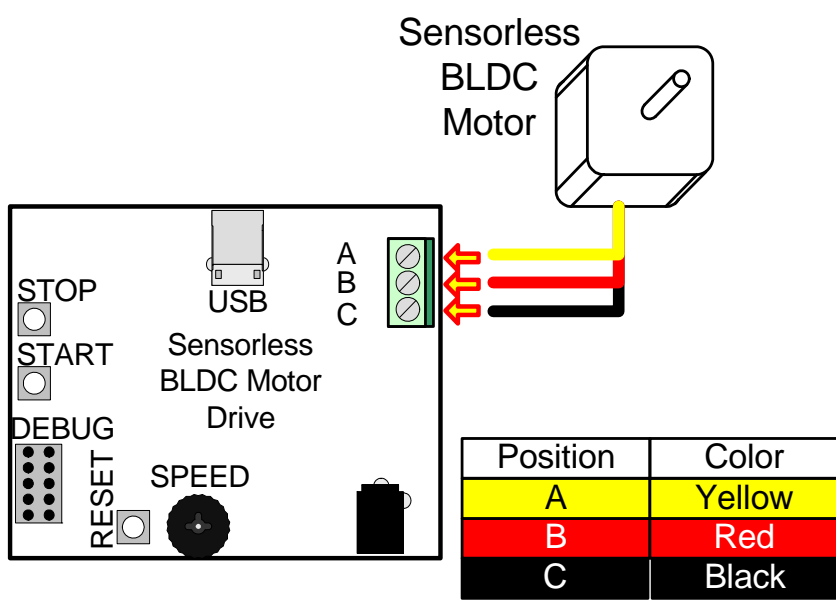


SENSORLESS BLDC MOTOR REFERENCE DESIGN QUICK-START GUIDE

1

Connect Motor Wires

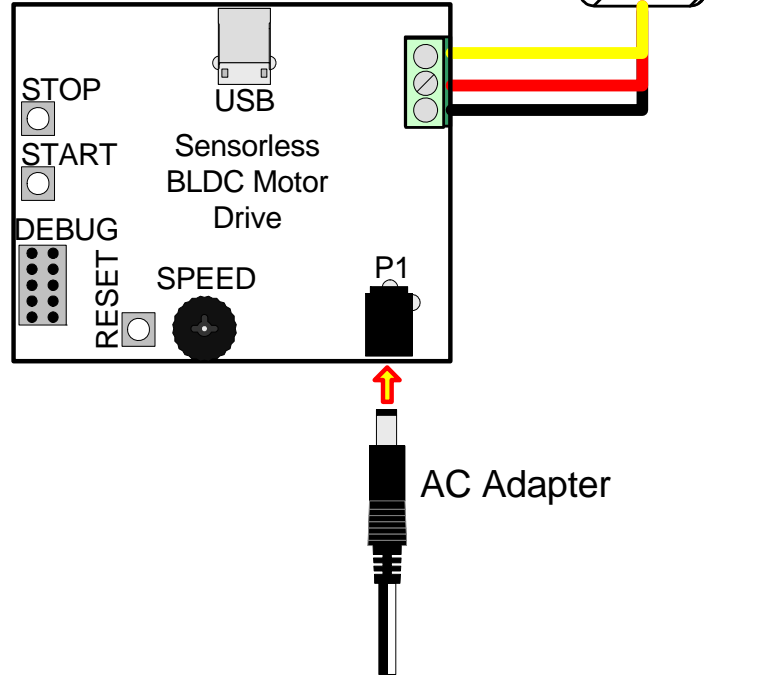
- Follow color wiring diagram
- Insert wires
- Tighten screw terminals



Position	Color
A	Yellow
B	Red
C	Black

2

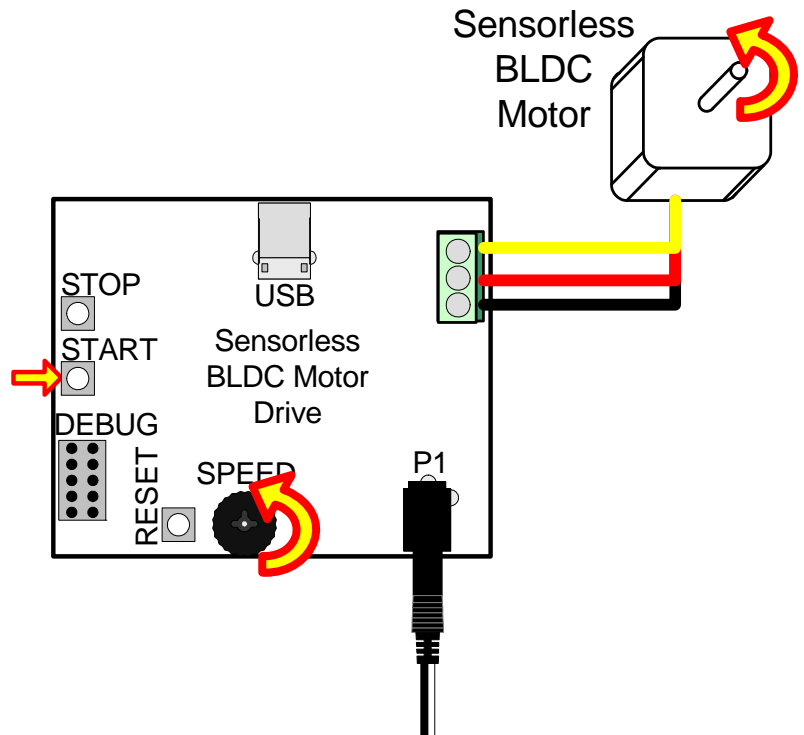
Connect AC/DC adapter



3

Operate Motor


- Push **START** button
- Motor turns
- Turn potentiometer
- Motor's speed is adjusted



4

Browse Documentation

- Insert CD
- Click on **Browse Documentation**
- Open the **Sensorless BLDC Motor Control Reference Design User's Guide**



Refer to the following documents included on the kit CD for further information:

- Sensorless BLDC Motor Reference Design User's Guide
- AN208: Sensorless BLDC Motor Reference Design