

Si47967 资料简介

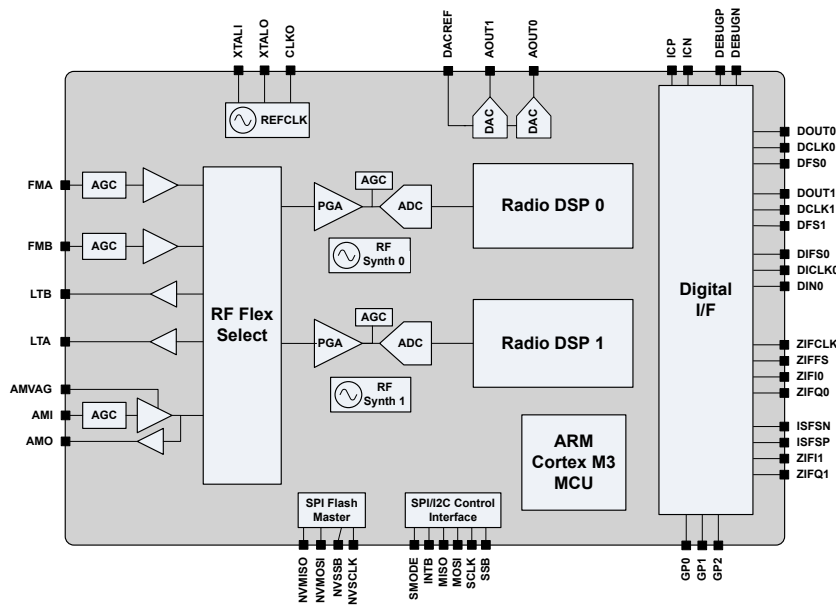
高性能汽车双 AM/FM 无线电接收器和 DRM 调谐器

Si47967 集成了两个全球无线电接收器。模拟 AM/FM 接收器和数字无线电调谐器创立了汽车广播接收的新标准。

Si47967 是业内集成度最高的汽车混合 SDR DRM 调谐器，并且外部物料清单最小。基于 Si47967 的系统应用范围广泛，从低成本双调谐器 AM/FM 无线电到配有多个调谐器和多个天线的最高性能系统，应有尽有，使无线电供应商能在众多产品线上重复利用研发成果，所有这些均通过一个通用软件 API 完成。Si47967 A 级零件符合严格的汽车质量标准。

应用

- OEM 汽车信息娱乐系统
- 售后市场车载无线电系统



主要特点

- 双全球 FM 波段支持 (64 - 108 MHz)
- 双全球 AM 波段支持 (520 - 1710 kHz)
- 双长波波段支持 (144 - 288 kHz)
- 双短波波段支持 (2.3 - 30 MHz)
- 片上 RDS/RDBS
- AM/FM
 - 全面的 AM/FM 信号处理固件
 - 用于背景/数据调谐器的集成主动式 AM/FM 缓冲器
 - 两个调谐器的模拟 FM 相位差异
- DRM30/DRM+
 - DRM 处理器的数字 I/Q 接口
 - 完全集成式 AGC
 - DRM 检测
- 音频
 - 两个模拟音频输出
 - 三个数字音频端口 (I²S)
- 1.8 V 或 3.3 V 数字 IO 电源
- 3.3 V 模拟电源和 1.8 V 数字电源
- QFN 56 引脚, 8 x 8 x 0.85 mm
- 符合无铅/RoHS 要求
- 符合 AEC-Q100 (A 级设备)

1. Pin Descriptions

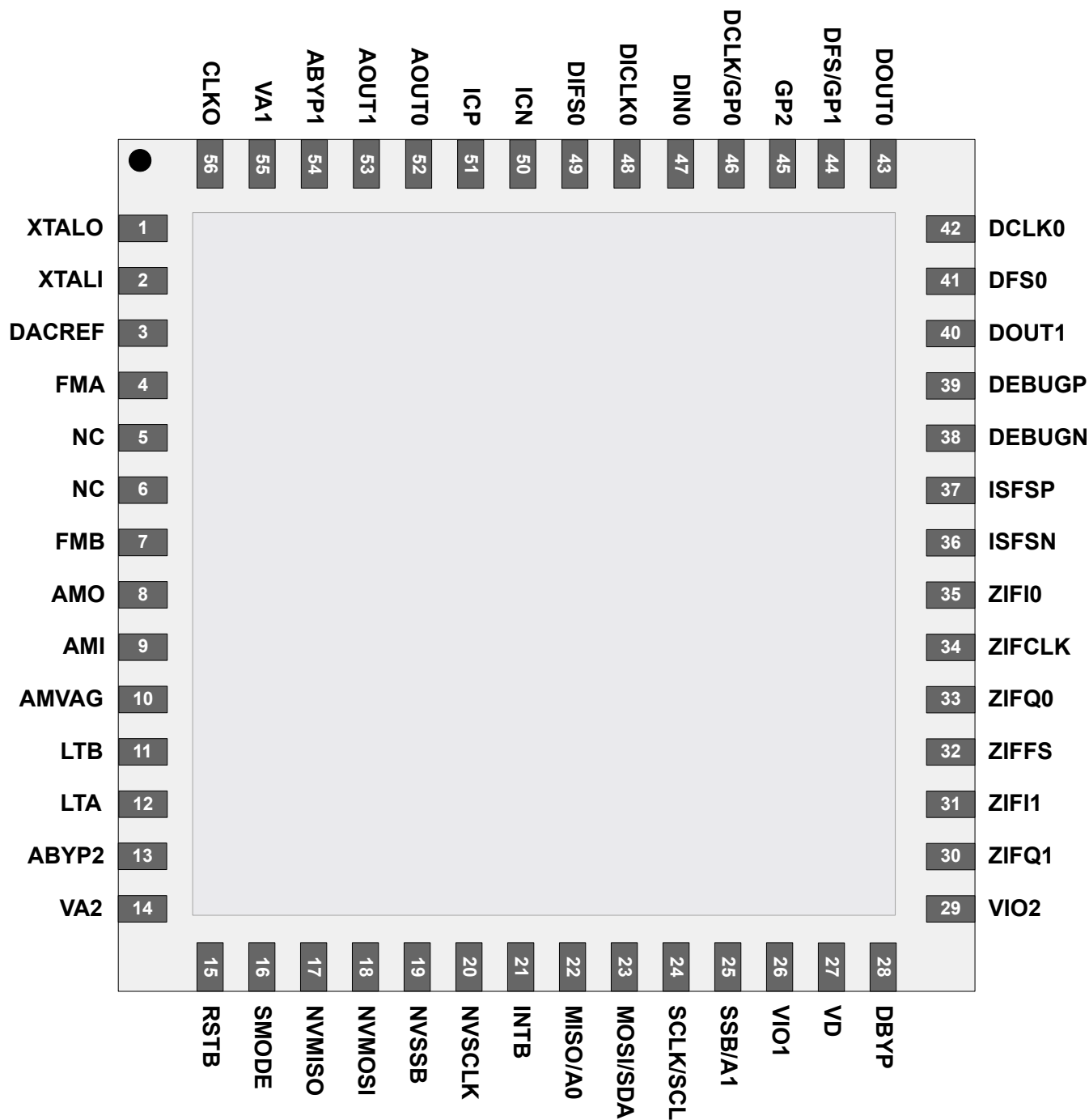


Figure 1.1. Si47967 Pinout Diagram

2. Package Outline

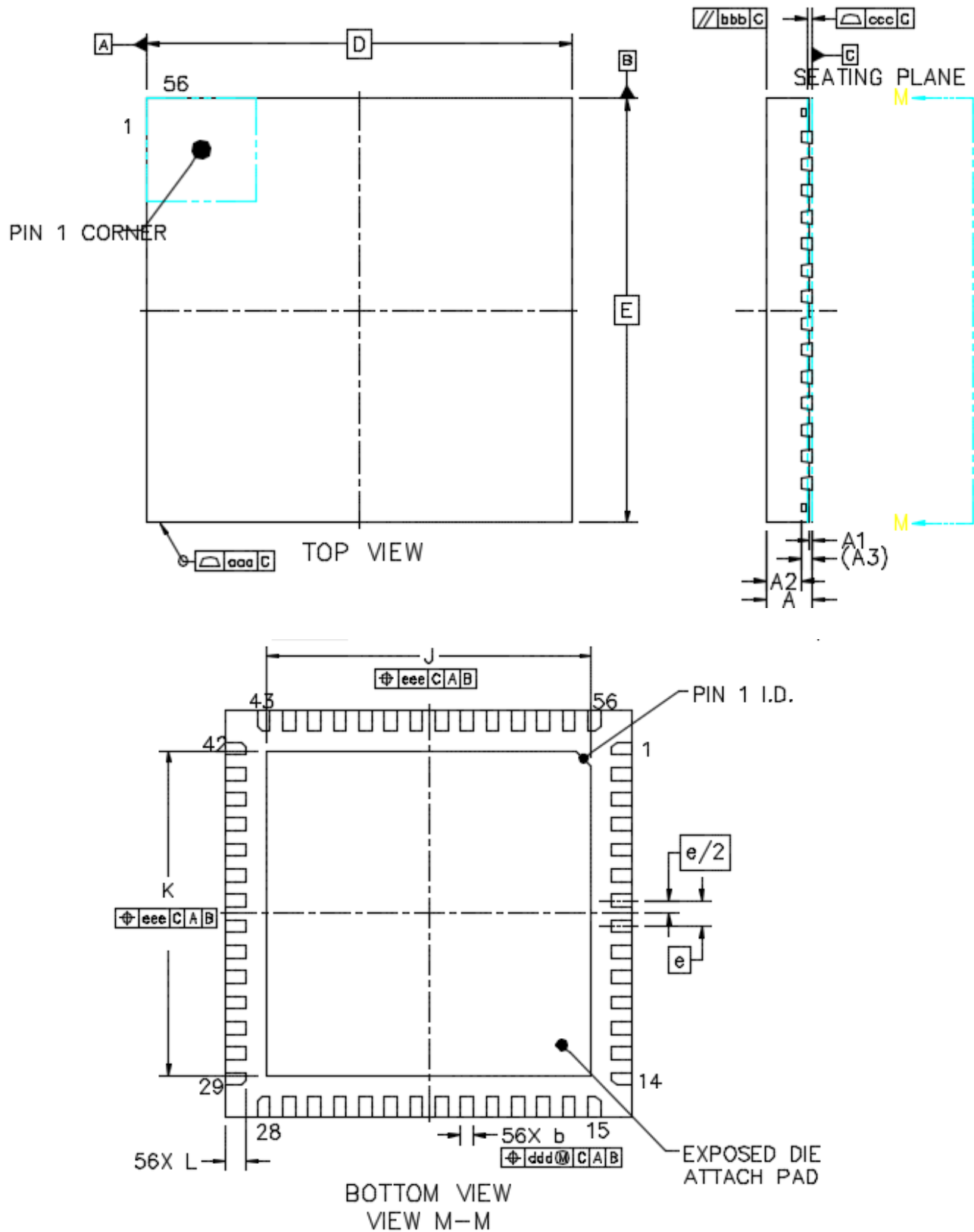


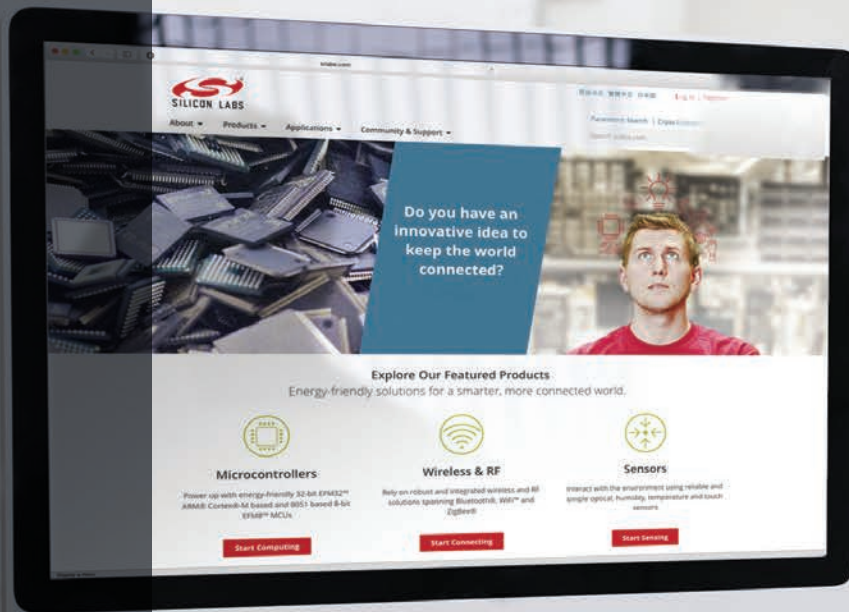
Figure 2.2. 56-Pin QFN

Table 2.1. Package Dimensions

Dimensions	Min	Nom	Max
A	0.80	0.85	0.90
A1	0.00	0.035	0.05
b	0.20	0.25	0.30
A3	0.203 REF		
D	8.00 BSC		
e	0.5 BSC		
E	8.00 BSC.		
D2	6.30	6.40	6.50
E2	6.30	6.40	6.50
L	0.35	0.40	0.45
K	0.20	—	—
aaa	0.10		
bbb	0.10		
ccc	0.08		
ddd	0.10		
eee	0.10		

Note:

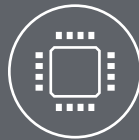
1. All dimensions shown are in millimeters (mm) unless otherwise noted.
2. Dimensioning and Tolerancing per ANSI Y14.5M-1994.
3. Recommended card reflow profile is per the JEDEC/IPC J-STD-020 specification for Small Body Components.



Smart.
Connected.
Energy-Friendly.



Products
www.silabs.com/products



Quality
www.silabs.com/quality



Support and Community
community.silabs.com

Disclaimer

Silicon Labs intends to provide customers with the latest, accurate, and in-depth documentation of all peripherals and modules available for system and software implementers using or intending to use the Silicon Labs products. Characterization data, available modules and peripherals, memory sizes and memory addresses refer to each specific device, and "Typical" parameters provided can and do vary in different applications. Application examples described herein are for illustrative purposes only. Silicon Labs reserves the right to make changes without further notice to the product information, specifications, and descriptions herein, and does not give warranties as to the accuracy or completeness of the included information. Without prior notification, Silicon Labs may update product firmware during the manufacturing process for security or reliability reasons. Such changes will not alter the specifications or the performance of the product. Silicon Labs shall have no liability for the consequences of use of the information supplied in this document. This document does not imply or expressly grant any license to design or fabricate any integrated circuits. The products are not designed or authorized to be used within any FDA Class III devices, applications for which FDA premarket approval is required or Life Support Systems without the specific written consent of Silicon Labs. A "Life Support System" is any product or system intended to support or sustain life and/or health, which, if it fails, can be reasonably expected to result in significant personal injury or death. Silicon Labs products are not designed or authorized for military applications. Silicon Labs products shall under no circumstances be used in weapons of mass destruction including (but not limited to) nuclear, biological or chemical weapons, or missiles capable of delivering such weapons. Silicon Labs disclaims all express and implied warranties and shall not be responsible or liable for any injuries or damages related to use of a Silicon Labs product in such unauthorized applications.

Trademark Information

Silicon Laboratories Inc.®, Silicon Laboratories®, Silicon Labs®, SiLabs® and the Silicon Labs logo®, Bluegiga®, Bluegiga Logo®, ClockBuilder®, CMEMS®, DSPLL®, EFM®, EFM32®, EFR, Ember®, Energy Micro, Energy Micro logo and combinations thereof, "the world's most energy friendly microcontrollers", Ember®, EZLink®, EZRadio®, EZRadioPRO®, Gecko®, Gecko OS, Gecko OS Studio, ISOModem®, Precision32®, ProSLIC®, Simplicity Studio®, SiPHY®, Telegesis, the Telegesis Logo®, USBXpress®, Zentri, the Zentri logo and Zentri DMS, Z-Wave®, and others are trademarks or registered trademarks of Silicon Labs. ARM, CORTEX, Cortex-M3 and THUMB are trademarks or registered trademarks of ARM Holdings. Keil is a registered trademark of ARM Limited. Wi-Fi is a registered trademark of the Wi-Fi Alliance. All other products or brand names mentioned herein are trademarks of their respective holders.



Silicon Laboratories Inc.
400 West Cesar Chavez
Austin, TX 78701
USA

<http://www.silabs.com>