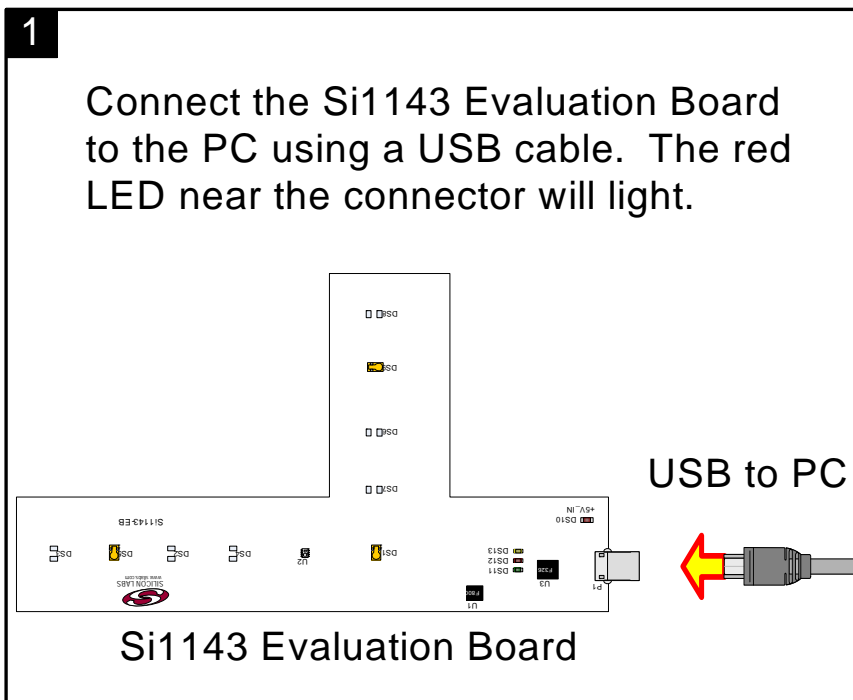


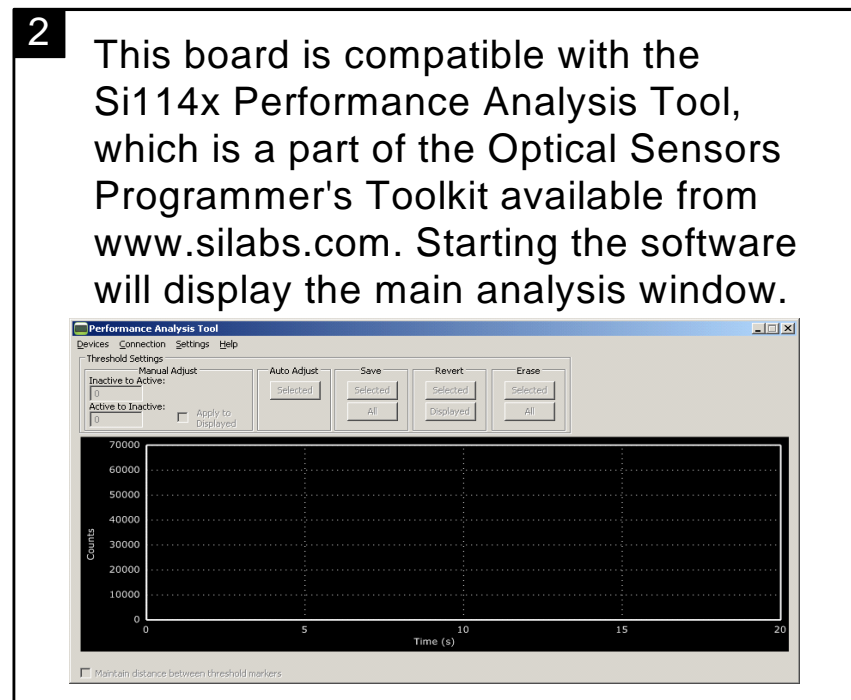
Si1140 DEVELOPMENT KIT QUICK-START GUIDE

1 Connect the Si1143 Evaluation Board to the PC using a USB cable. The red LED near the connector will light.

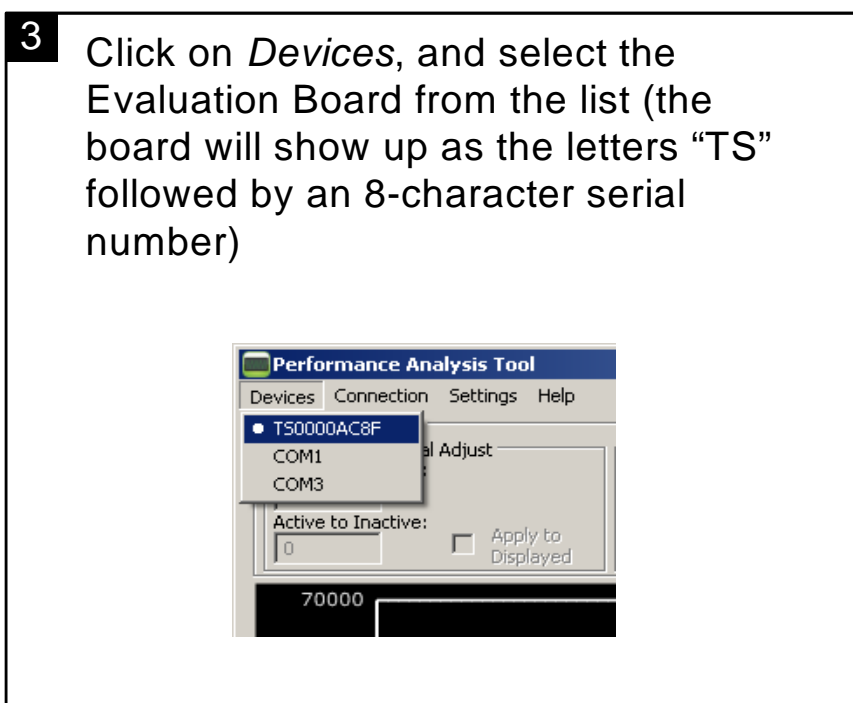


Si1143 Evaluation Board

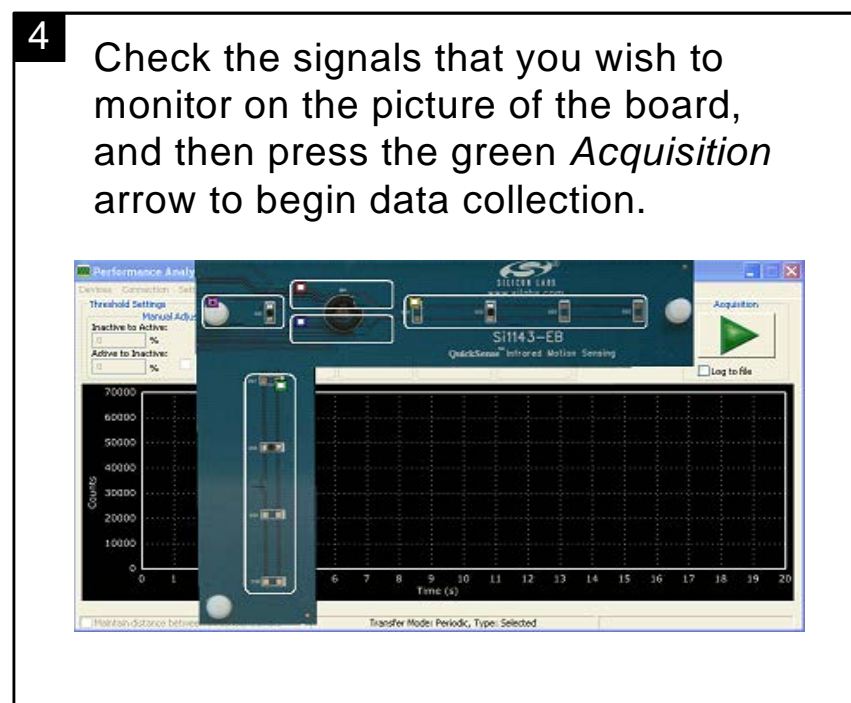
2 This board is compatible with the Si114x Performance Analysis Tool, which is a part of the Optical Sensors Programmer's Toolkit available from www.silabs.com. Starting the software will display the main analysis window.



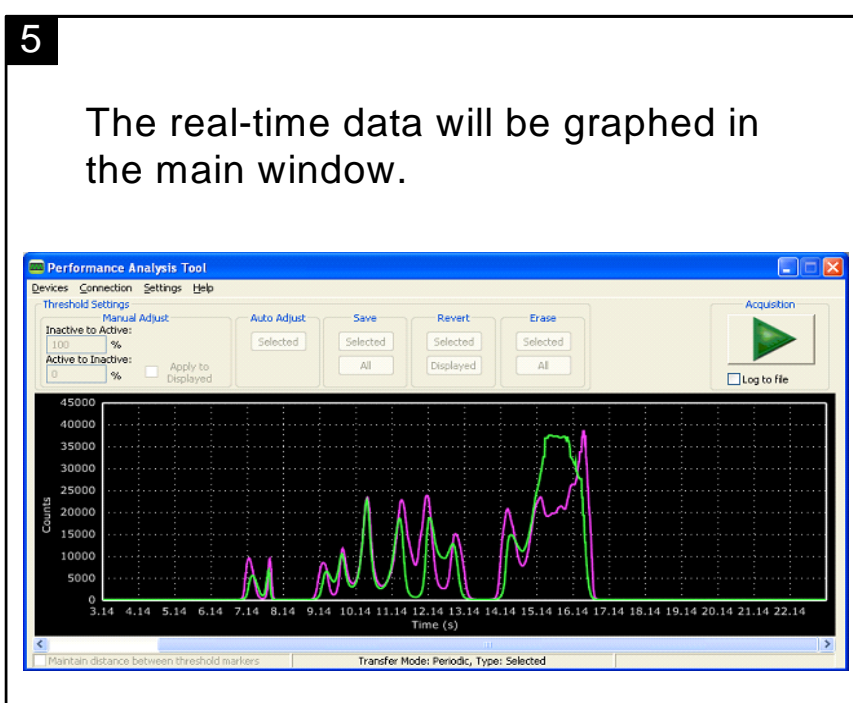
3 Click on *Devices*, and select the Evaluation Board from the list (the board will show up as the letters "TS" followed by an 8-character serial number)



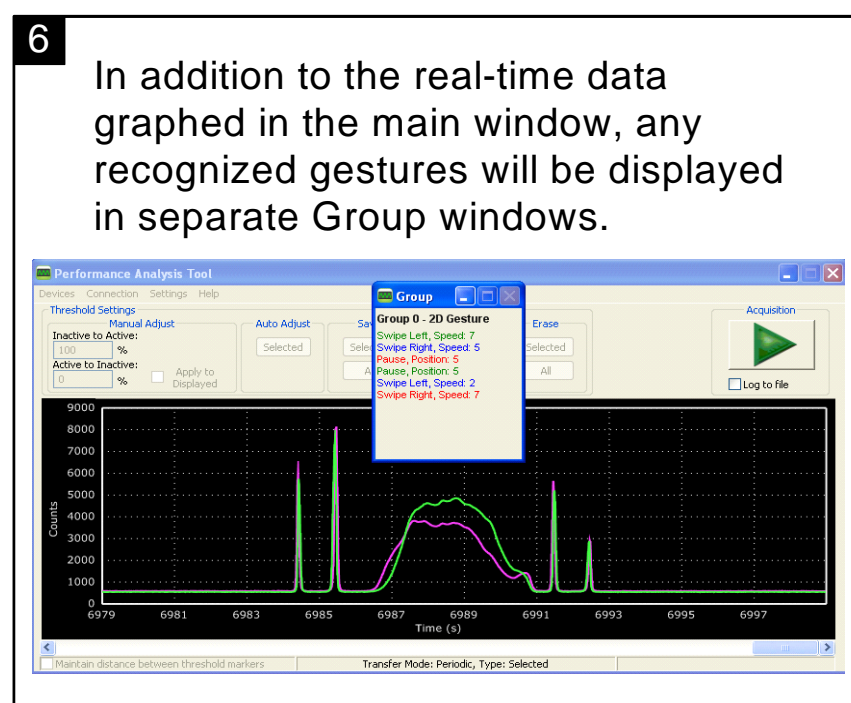
4 Check the signals that you wish to monitor on the picture of the board, and then press the green *Acquisition* arrow to begin data collection.



5 The real-time data will be graphed in the main window.



6 In addition to the real-time data graphed in the main window, any recognized gestures will be displayed in separate Group windows.



For more information, including supporting software and documentation, please visit the Silicon Labs Si1140 Development Kit website located at <http://www.silabs.com/Si1140DK>.