



EFR32BG Blue Gecko Radio Board

2.4 GHz 10 dBm, DCDC to PAVDD

Board Function	Page
Title Page	1
RF, Antenna & Power	2
EFR32 Signal Assignments	3
WSTK Connectors & Board ID	4


LEGAL NOTICE:
 SILICON LABORATORIES INC. ("SILICON LABS") AND/OR ITS LICENSORS DO NOT WARRANT THE ACCURACY OR COMPLETENESS OF THIS SCHEMATIC OR ANY INFORMATION CONTAINED WITHIN THIS SCHEMATIC. IT IS PROVIDED "AS-IS" FOR REFERENCE ONLY. SILICON LABS DOES NOT WARRANT THAT THIS DESIGN WILL MEET THE SPECIFICATIONS, BE SUITABLE FOR YOUR APPLICATION OR FIT FOR ANY PARTICULAR PURPOSE, OR WILL OPERATE IN YOUR IMPLEMENTATION. SILICON LABS AND ITS LICENSORS DO NOT WARRANT THAT THE DESIGN IMPLIED IN THIS SCHEMATIC IS PRODUCTION-WORTHY. YOU SHOULD COMPLETELY VALIDATE AND TEST YOUR DESIGN IMPLEMENTATION TO CONFIRM SYSTEM FUNCTIONALITY FOR YOUR APPLICATION.



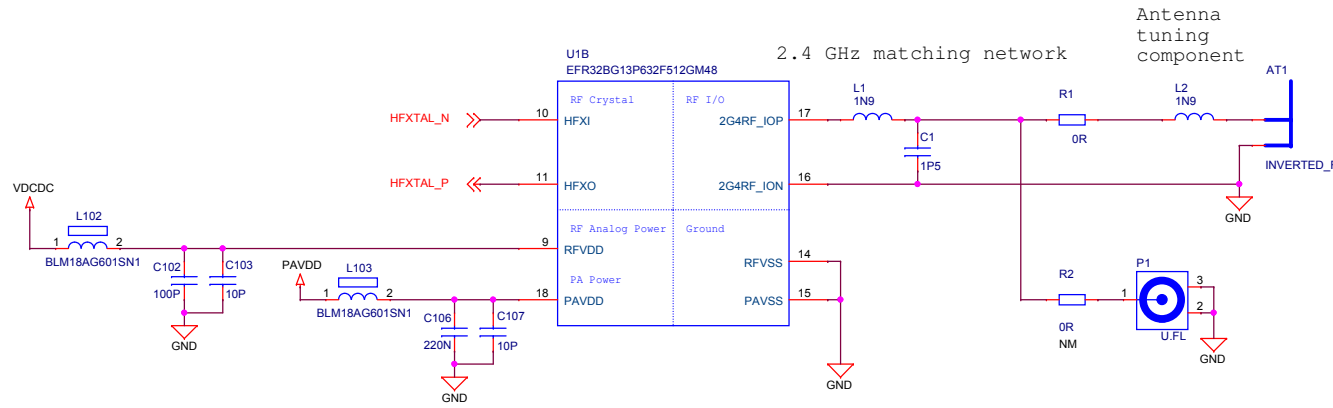
Revision History

Rev.	Description
A00	Initial revision.

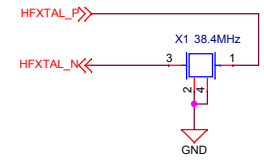
SCHEMATIC1

Path Name		Schematic Title	
 SILICON LABS		EFR32BG13 2.4 GHz 10 dBm Radio Board	
Designed: JSH		Page Title Title Page	
Approved: JNO		Document number BRD4104A	
Size A3	BOM Doc No: <Cage Code>	Revision A00	
Design Created Date: Monday, April 02, 2012		Sheet Created Date Monday, April 02, 2012	Sheet Modified Date Wednesday, March 01, 2017
		Sheet 1 of 4	

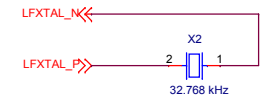
Antenna & Radio Interface



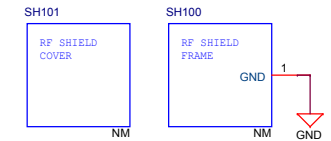
High Frequency Crystal



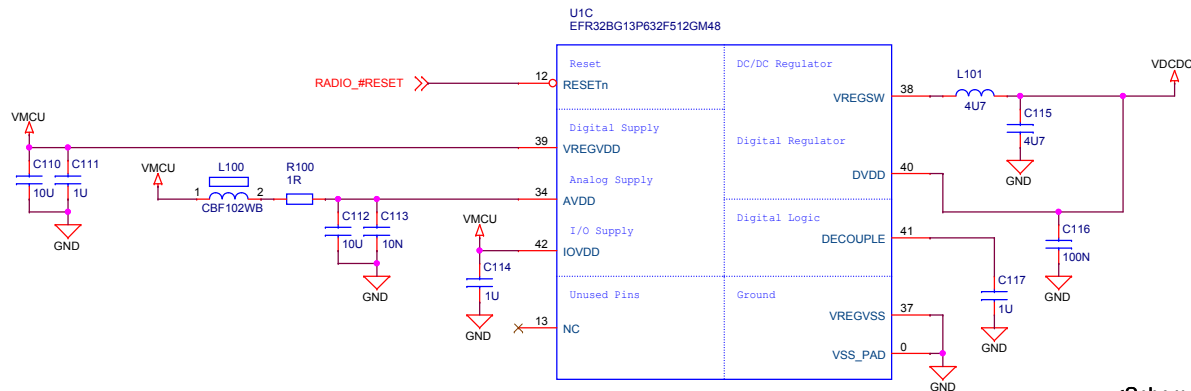
Low Frequency Crystal



RF Shielding

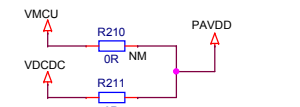


Power & Decoupling



PAVDD Configuration

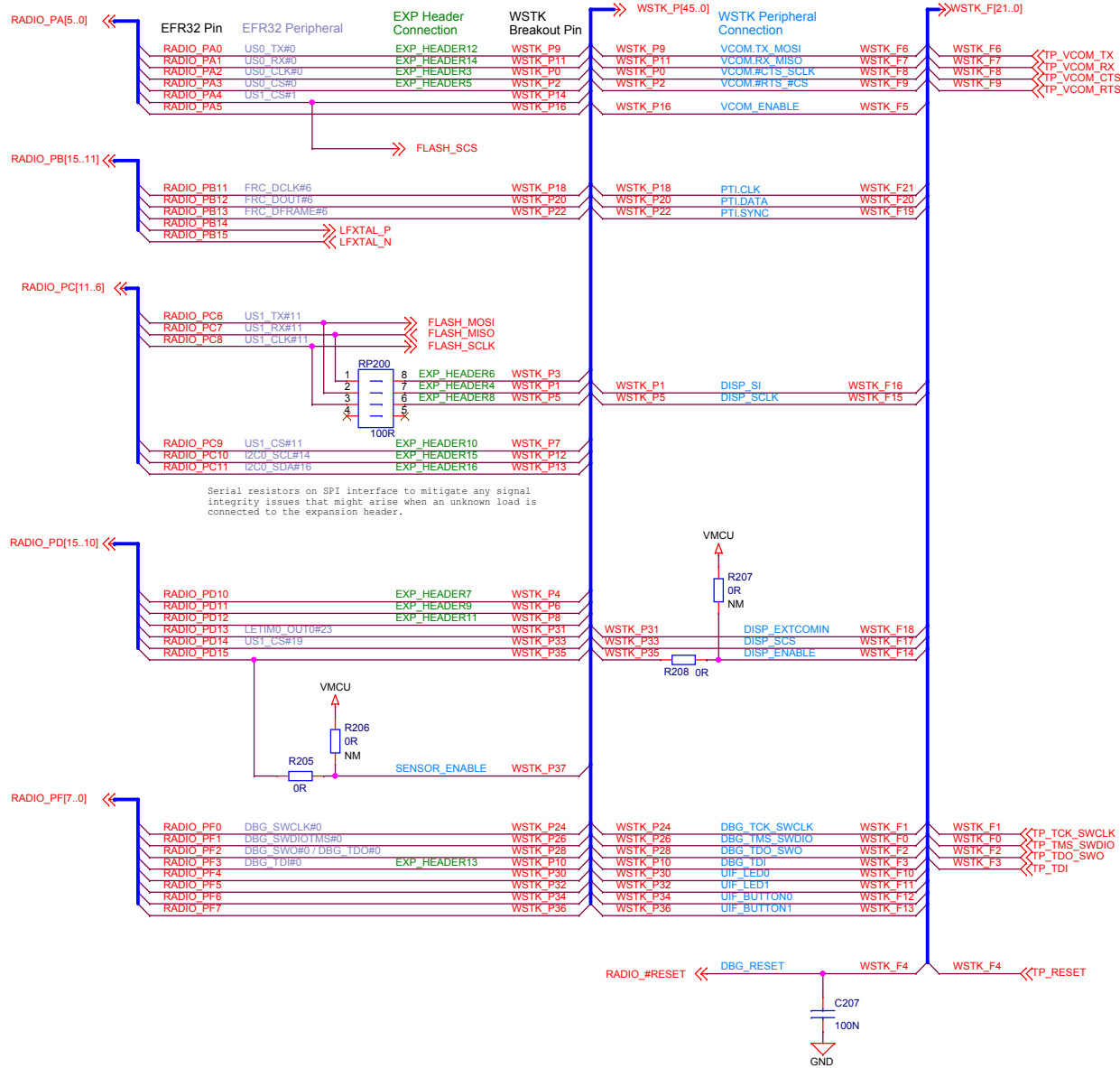
	Power Config 1 VMCU to PAVDD	Power Config 2 DCDC to PAVDD
R210	Mount	Not mount
R211	Not mount	Mount



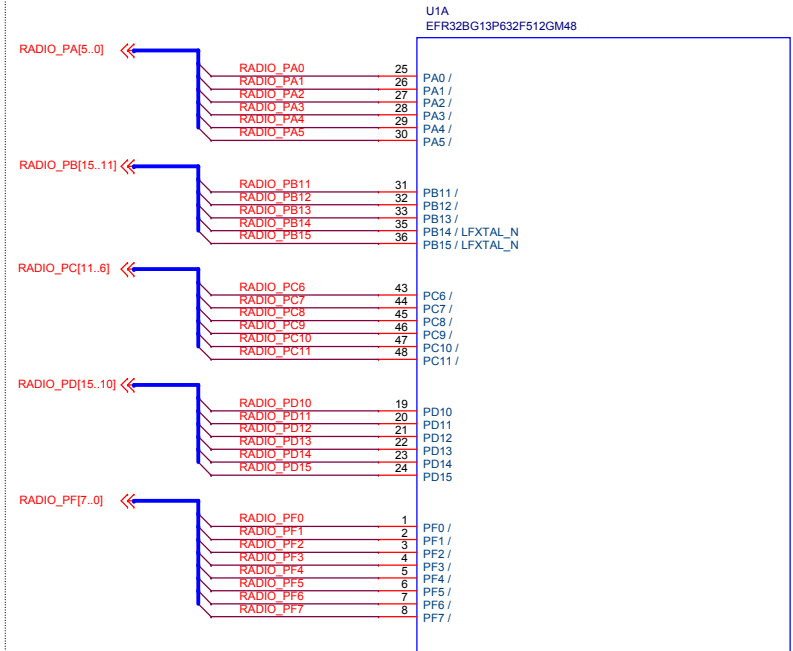
<Schematic Path>
SCHEMATIC1

		Schematic Title	
		EFR32BG13 2.4 GHz 10 dBm Radio Board	
Designed: JSH Approved: JNO		Page Title	
		RF, Antenna and Power	
Size A3	BOM Doc No: <Cage Code>	Document number BRD4104A	Revision A00
Design Created Date: Monday, April 02, 2012	Sheet Created Date Monday, April 02, 2012	Sheet Modified Date Wednesday, March 01, 2017	Sheet 2 of 4

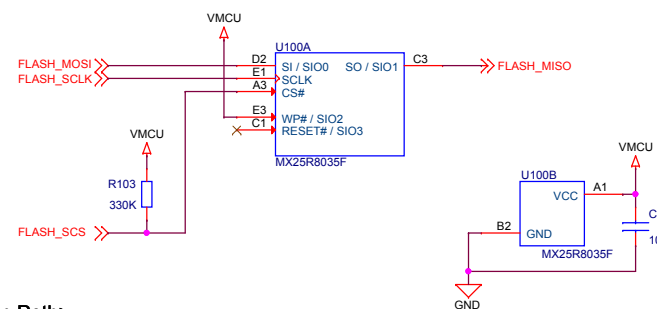
EFR32 Pin Mapping



EFR32 I/O Port Pins



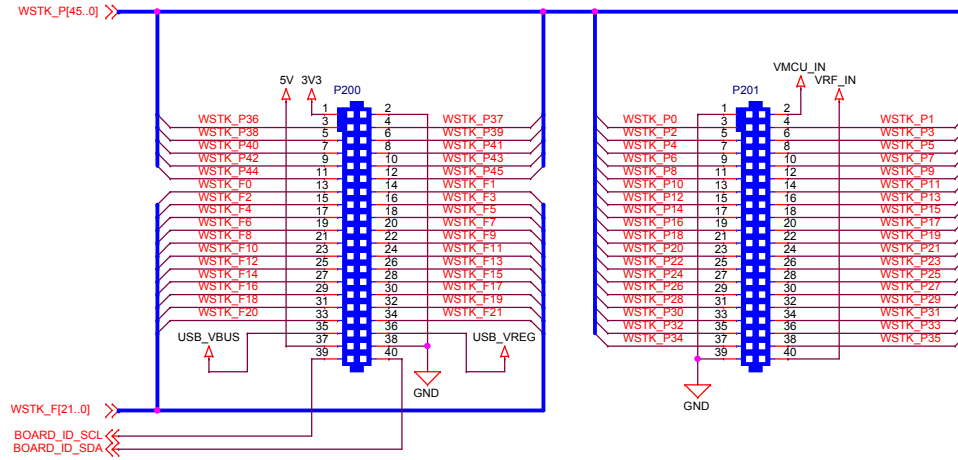
Serial Flash



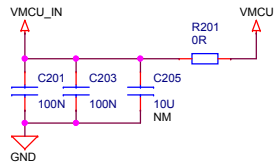
<Schematic Path> SCHEMATIC1

		Schematic Title	
		EFR32BG13 2.4 GHz 10 dBm Radio Board	
Designed: JSH Approved: JNO		Page Title	
		EFR32 I/O Port Connections	
Size: A3	BOM Doc No: <Cage Code>	Document number	Revision
Design Created Date: Monday, April 02, 2012	Sheet Created Date: Wednesday, April 11, 2012	BRD4104A	A00
	Sheet Modified Date: Wednesday, March 01, 2017		Sheet 3 of 4

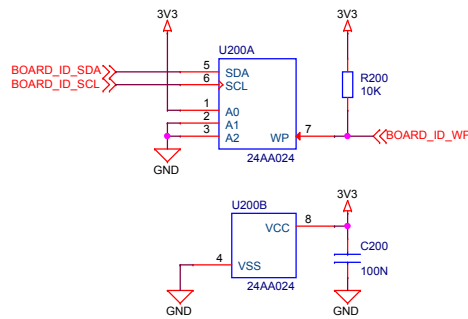
WSTK Connectors



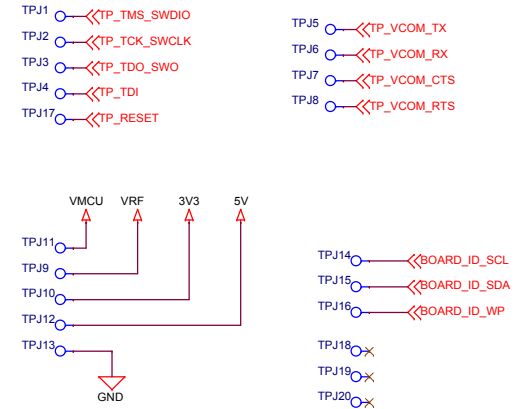
WSTK Power Decoupling




Board Identification



Test Points



<Schematic Path>
SCHEMATIC1

		Schematic Title	
		EFR32BG13 2.4 GHz 10 dBm Radio Board	
Designed: JSH Approved: JNO		Page Title	
		WSTK Connectors & Board ID	
Size: A3	BOM Doc No: <Cage Code>	Document number	Revision
Design Created Date: Monday, April 02, 2012	Sheet Created Date: Tuesday, April 03, 2012	Document number: BRD4104A	Revision: A00
	Sheet Modified Date: Wednesday, March 01, 2017		Sheet 4 of 4