



EFR32 Flex Gecko Dual Band Radio Board

2.4 GHz / 868 MHz 13 dBm, DCDC to PAVDD

| Board Function | Page |
|----------------------------|------|
| Title Page | 1 |
| RF, Antenna & Power | 2 |
| EFR32 Signal Assignments | 3 |
| WSTK Connectors & Board ID | 4 |

| Revision History | |
|------------------|--|
| Rev. | Description |
| B00 | Initial release. |
| B01 | SubGHz PA supplied from filtered PAVDD. |
| B02 | Updated matching components to improve Rx sensitivity. |
| | |
| | |
| | |
| | |
| | |
| | |
| | |

LEGAL NOTICE:
 SILICON LABORATORIES INC. ("SILICON LABS") AND/OR ITS LICENSORS DO NOT WARRANT THE ACCURACY OR COMPLETENESS OF THIS SCHEMATIC OR ANY INFORMATION CONTAINED WITHIN THIS SCHEMATIC. IT IS PROVIDED "AS-IS" FOR REFERENCE ONLY. SILICON LABS DOES NOT WARRANT THAT THIS DESIGN WILL MEET THE SPECIFICATIONS, BE SUITABLE FOR YOUR APPLICATION OR FIT FOR ANY PARTICULAR PURPOSE, OR WILL OPERATE IN YOUR IMPLEMENTATION. SILICON LABS AND ITS LICENSORS DO NOT WARRANT THAT THE DESIGN IMPLIED IN THIS SCHEMATIC IS PRODUCTION-WORTHY. YOU SHOULD COMPLETELY VALIDATE AND TEST YOUR DESIGN IMPLEMENTATION TO CONFIRM SYSTEM FUNCTIONALITY FOR YOUR APPLICATION.



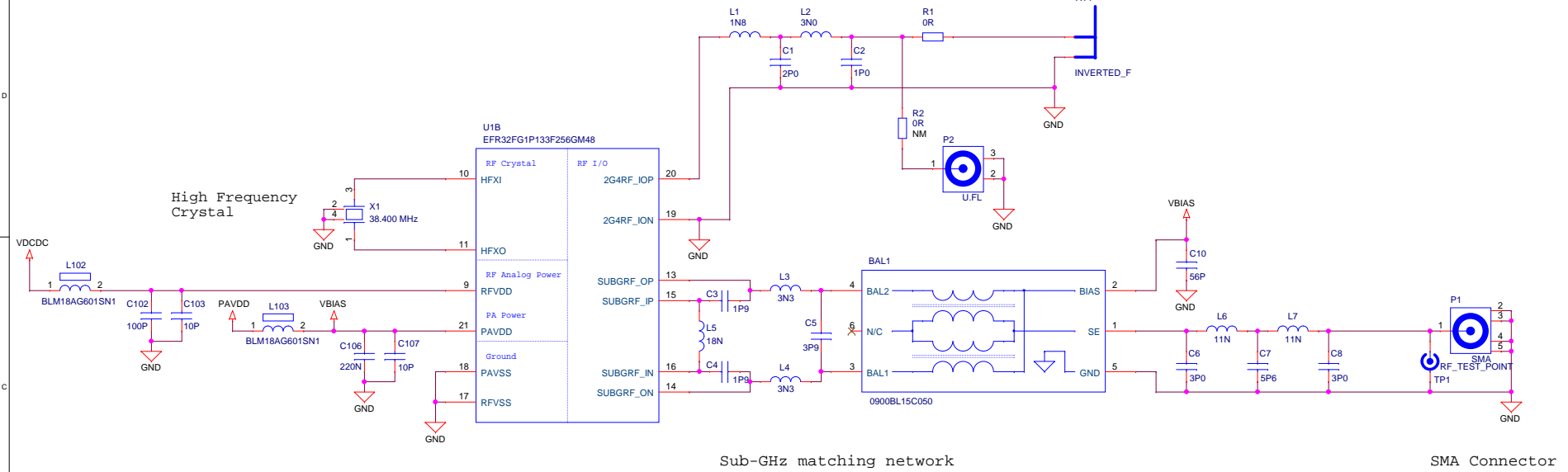
<Schematic Path>
 SCHEMATIC1

| | | | |
|---|--|--|--|
| | | Schematic Title | |
| | | EFR32FG Dual Band 2400/868 MHz Radio Board | |
| Designed: JSH | | Approved: JNO | |
| Page Title | | Title Page | |
| Size: A3 | | Document number: BRD4250B | |
| BOM Doc No: <Cage Code> | | Revision: B02 | |
| Design Created Date: Monday, April 02, 2012 | | Sheet Created Date: Monday, April 02, 2012 | |
| | | Sheet Modified Date: Tuesday, May 10, 2016 | |
| | | Sheet: 1 of 4 | |

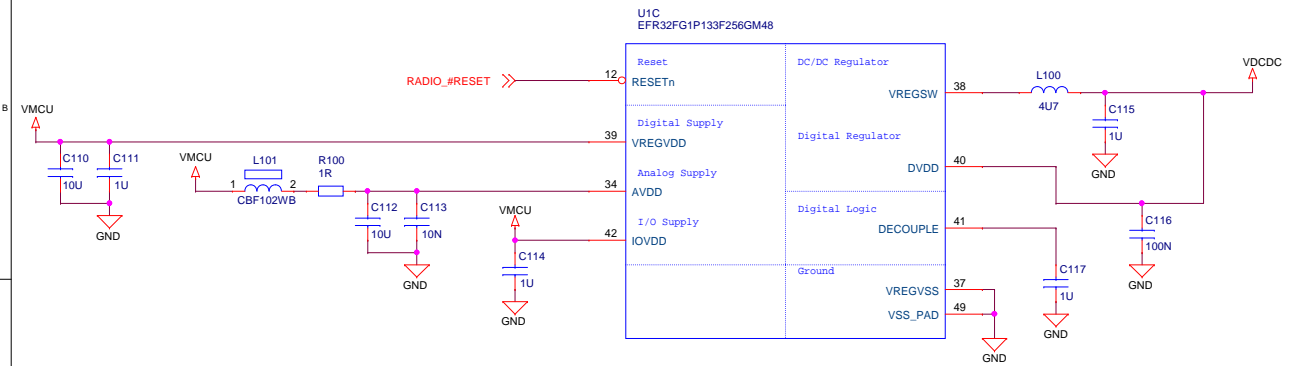
Antenna & Radio Interface

2.4 GHz matching network

PCB Antenna

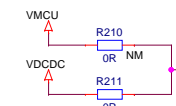


Power & Decoupling

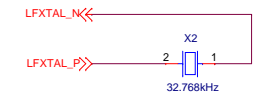


PAVDD Configuration

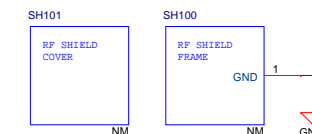
| | Power Config 1 VMCU to PAVDD | Power Config 2 DCDC to PAVDD |
|------|---------------------------------|---------------------------------|
| R210 | Mount | Not mount |
| R211 | Not mount | Mount |



Low Frequency Crystal



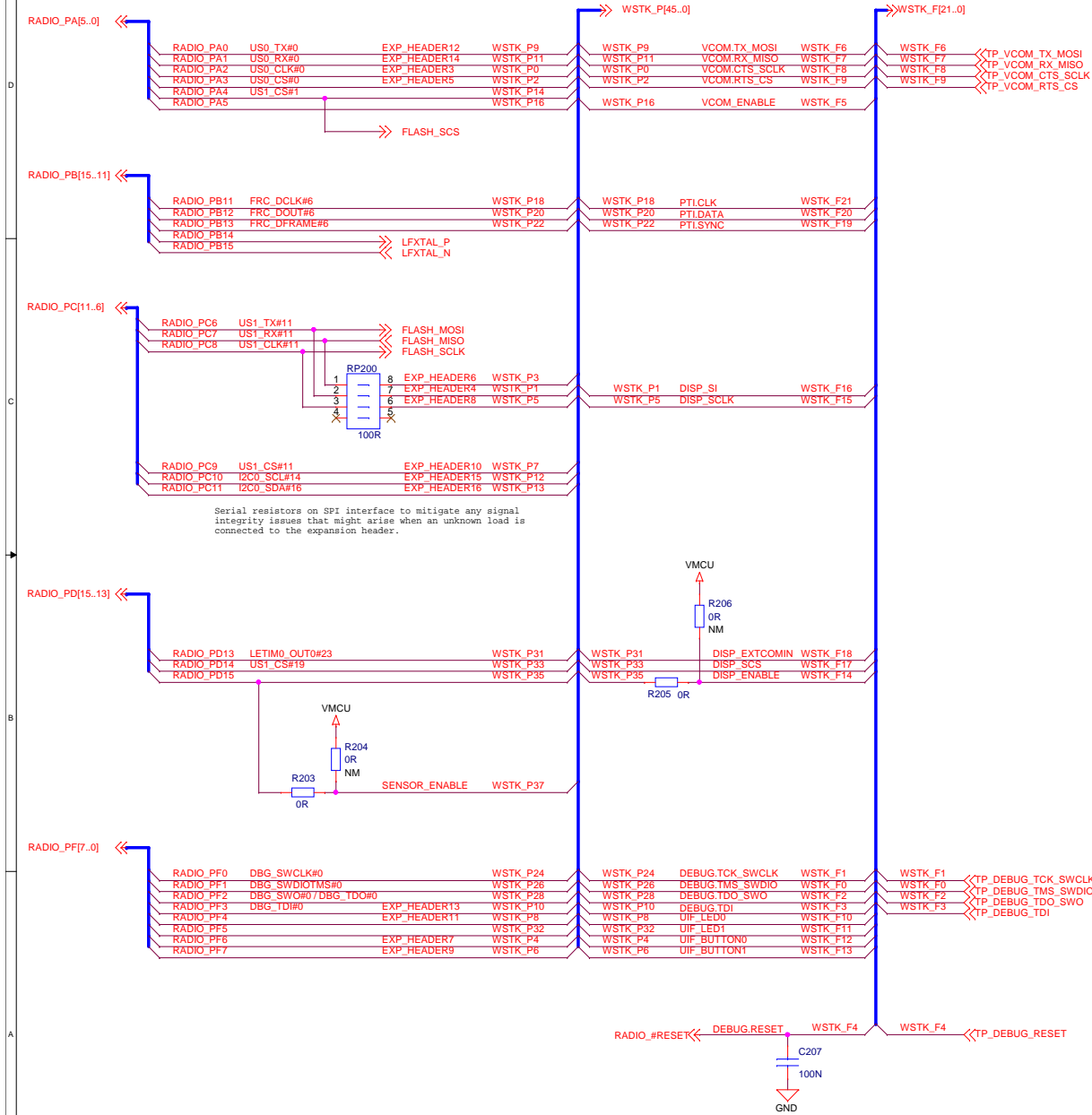
RF Shielding



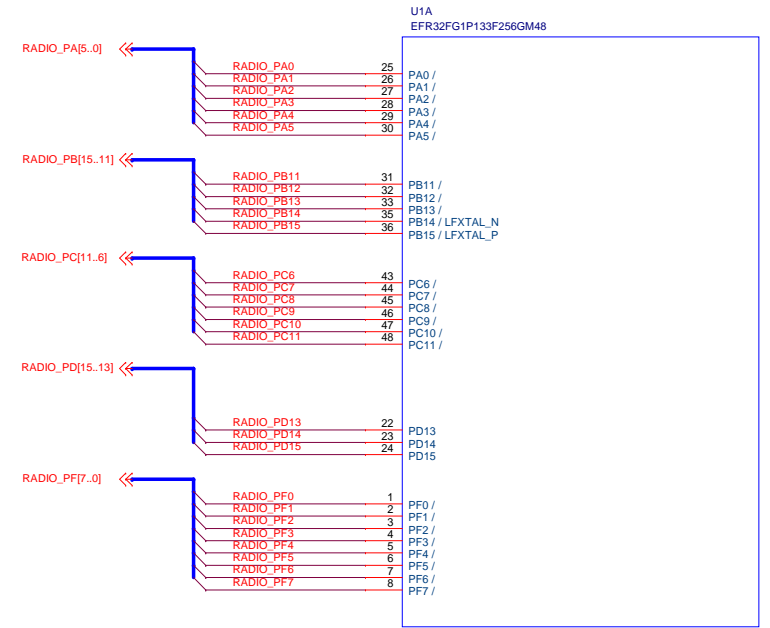
<Schematic Path>
SCHEMATIC1

| | | | |
|---|--|---|--------------|
| | | Schematic Title | |
| | | EFR32FG Dual Band 2400/868 MHz Radio Boa | |
| Designed: JSH Approved: JNO | | Page Title | |
| | | RF, Antenna & Power | |
| Size: A3 | BOM Doc No: <Cage Code> | Document number | Revision |
| Design Created Date: Monday, April 02, 2012 | | BRD4250B | B02 |
| | Sheet Created Date: Monday, April 02, 2012 | Sheet Modified Date: Tuesday, May 10, 2016 | Sheet 2 of 4 |

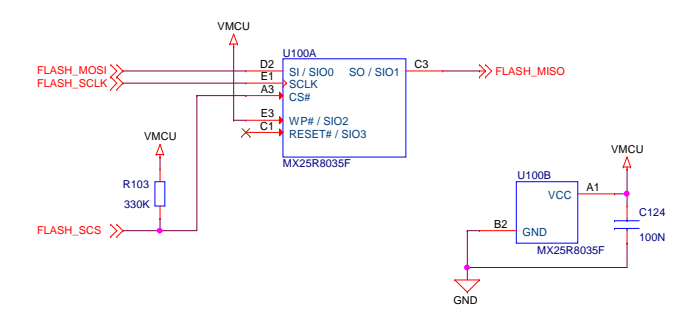
EFR32 Pin Mapping



EFR32 I/O Port Pins



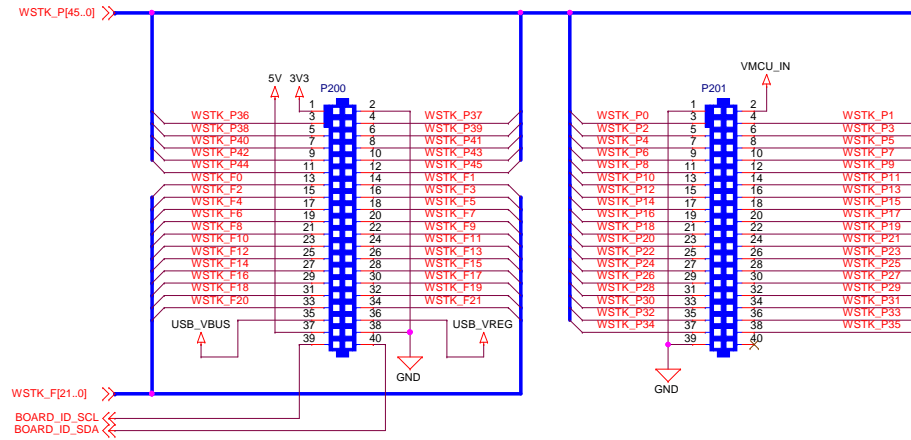
Serial Flash



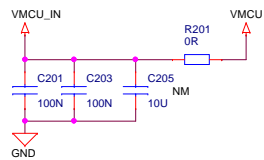
<Schematic Path>
SCHEMATIC1

| | | | |
|---|--|---|--|
| | | Schematic Title | |
| | | EFR32FG Dual Band 2400/868 MHz Radio Boa | |
| Designed: JSH Size: A3 BOM Doc No: <Cage Code> Design Created Date: Monday, April 02, 2012 | | Page Title | |
| | | EFR32 I/O Port Connections | |
| Approved: JNO Sheet Created Date: Wednesday, April 11, 2012 | | Document number | |
| | | BRD4250B | |
| Sheet Modified Date: Tuesday, May 10, 2016 | | Revision | |
| Sheet 3 of 4 | | B02 | |

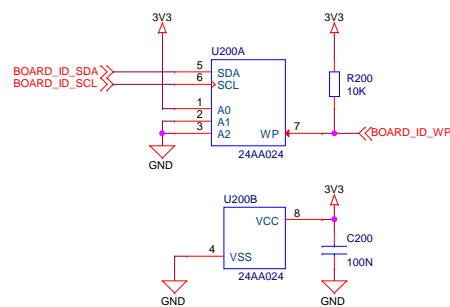
WSTK Connectors



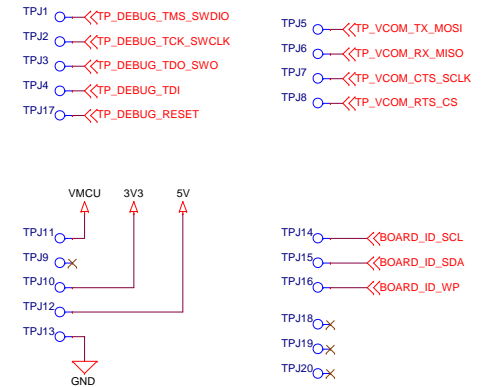
WSTK Power Decoupling



Board Identification



Test Points



<Schematic Path>
SCHEMATIC1

| | | | |
|---|-------------------------|---|--------------|
| | | Schematic Title | |
| | | EFR32FG Dual Band 2400/868 MHz Radio Boa | |
| Designed: JSH | | Page Title | |
| Approved: JNO | | WSTK Connectors & Board ID | |
| Size: A3 | BOM Doc No: <Cage Code> | Document number | Revision |
| Design Created Date: Monday, April 02, 2012 | | BRD4250B | B02 |
| Sheet Created Date: Monday, April 02, 2012 | | Sheet Modified Date: Tuesday, May 10, 2016 | Sheet 4 of 4 |