



User Interface Add-on Board

Board Function	Page
Title Page	1
User Interface	2

Revision History

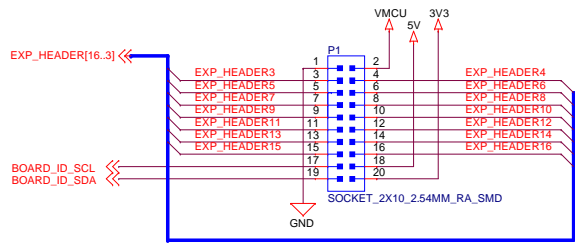
Rev.	Description
A00	Initial release.



Add-on Board

		Schematic Title	
		Blue Gecko Kit Add-on Board	
Designed: JSH Approved: JNO		Page Title	
		Title Page	
Size A3	BOM Doc No:	Document number	Revision
		BRD8006A	A00
Design Created Date: Friday, June 13, 2014	Sheet Created Date Friday, June 13, 2014	Sheet Modified Date Friday, May 22, 2015	Sheet 1 of 2

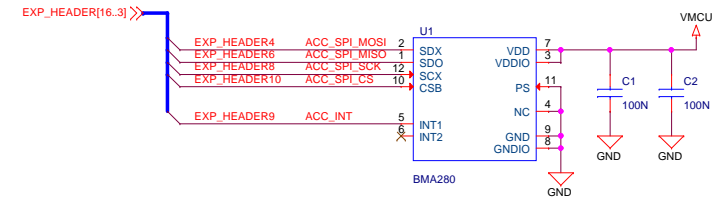
Expansion port



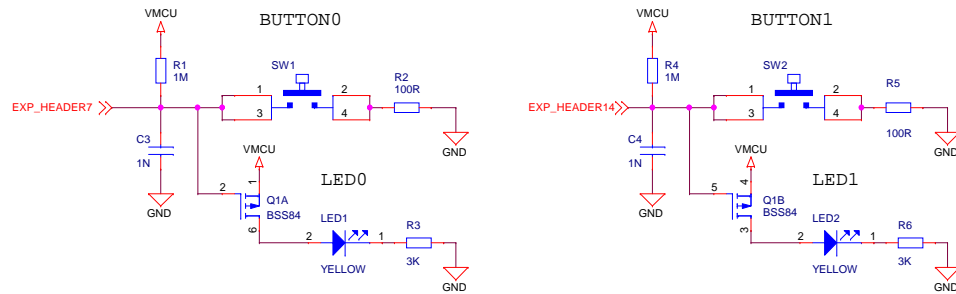
EXP-Header Functionality

1	GND	NC
3		APPLE_AUTH_RST
5		BUTTON0
7		ACC_INT
9		NC
11		NC
13		NC
15	I2C_SCL	APPLE_AUTH_SCL
17	Board ID SCL	
19	Board ID SDA	
2	VMCU	
4	SPI_MOSI	ACC_MOSI
6	SPI_MISO	ACC_MISO
8	SPI_SCK	ACC_SCK
10	SPI_CS	ACC_SCS
12	UART_TX	ANALOG_JOYSTICK
14	UART_RX	BUTTON1
16	I2C_SDA	APPLE_AUTH_SDA
18	5V	
20	3V3	

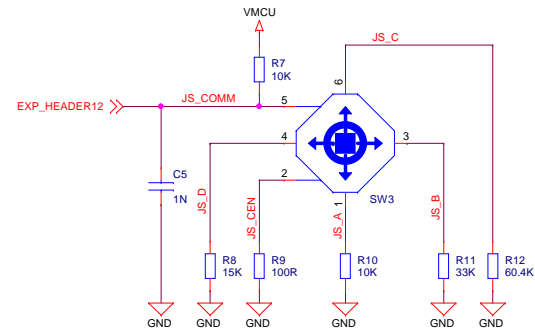
BMA280 Accelerometer



Pushbuttons and LEDs

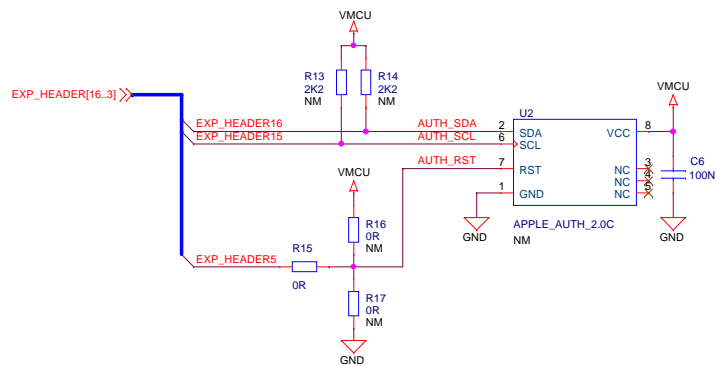


Analog Joystick

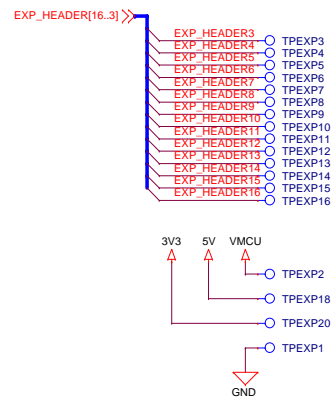


Joystick position	Output Voltage (VMCU = 3.3 V)
Center press	0.033 V
N (up)	2.831 V
NE (up-right)	2.247 V
E (right)	2.533 V
SE (down-right)	1.433 V
S (down)	1.650 V
SW (down-left)	1.238 V
W (left)	1.980 V
NW (up-left)	1.801 V

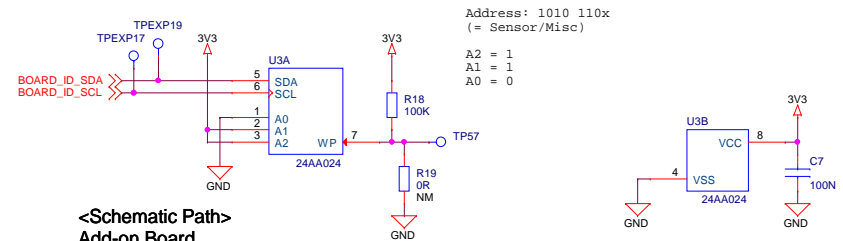
Apple Authentication Coprocessor Footprint



Test points



BOARD_ID EEPROM



<Schematic Path>
Add-on Board

		Schematic Title	
		Blue Gecko Kit Add-on Board	
Designed: JSH Size: A3 Design Created Date: Friday, June 13, 2014		Page Title	
		User Interface	
Approved: --- BOM Doc No: <Cage Code>		Document number	
		BRD8006A	
Sheet Created Date: Friday, June 13, 2014		Document number BRD8006A	
Sheet Modified Date: Wednesday, June 18, 2014		Revision A00	
Sheet 2 of 2		Sheet Modified Date: Friday, May 22, 2015	