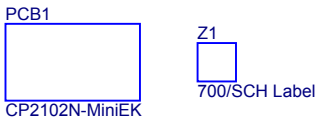
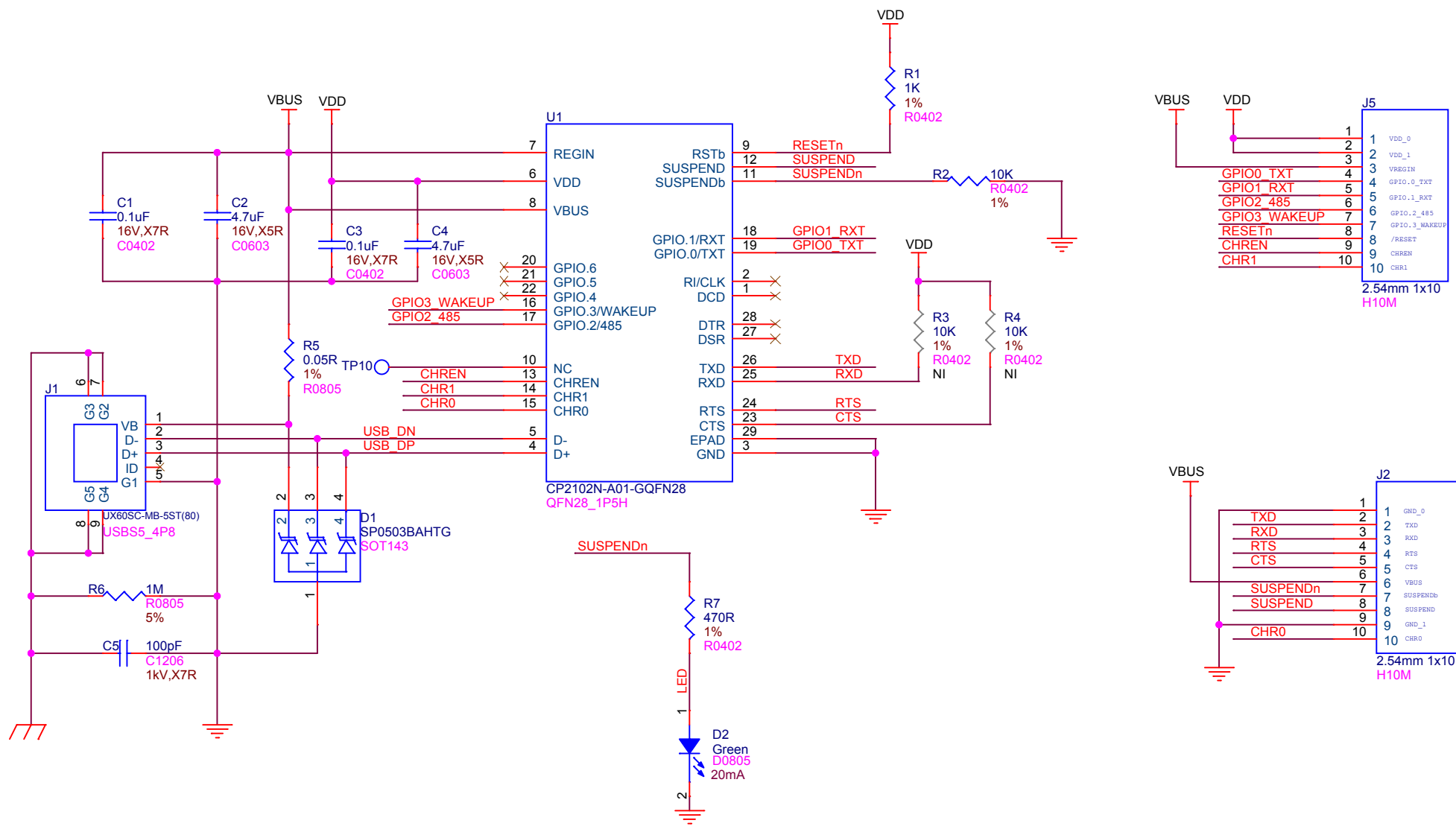


# CP2102N-MiniEK

## INDEX

SCHEMATIC	PAGE
01. CONVER PAGE	01
02. USB TO UART	02
03. SCHEMATIC HISTORY	03



Title CP2102N-MiniEK		
Size A4	Document Number	Rev 00
Date: Tuesday, June 21, 2016	Sheet 2 of 3	

### Revision History

DATE	REVISION	MODIFICATION RECORD	DRAWER
May /20/ 2016	Rev00		JimLi