



## EFM32 Wonder Gecko MCU Plugin

Board Function	Page
Front Page	1
EFM32 Microcontroller	2
EFM32 Power	3
EFM32 Connectors	4
Signal Assignments #1	5
Signal Assignments #2	6
Misc Connections	7

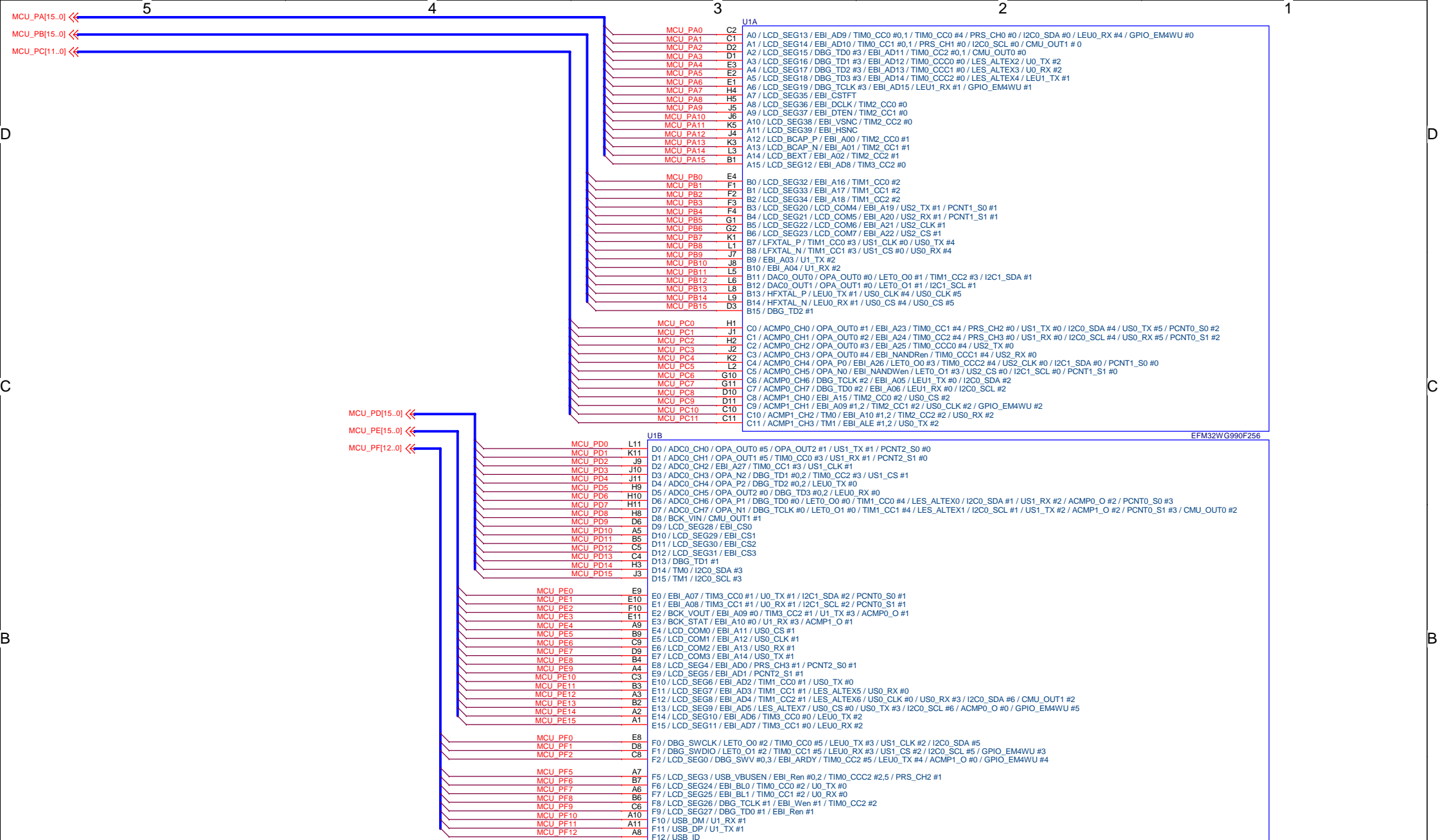
## Revision History

Rev.	Description
A00	Initial version. Imported from GG MCU Plugin Board.



TOP

		Schematic Title		
		<b>EFM32 Wonder Gecko MCU Plugin Board</b>		
		Page Title		
		<b>Front Page</b>		
Designed: AG		Approved: JNO		Revision A00
Size A3	BOM Doc No: <Cage Code>	Document number <b>BRD3800A</b>		Sheet 1 of 7
Design Created Date: Wednesday, December 03, 2008		Sheet Created Date Tuesday, February 17, 2009	Sheet Modified Date Monday, December 17, 2012	

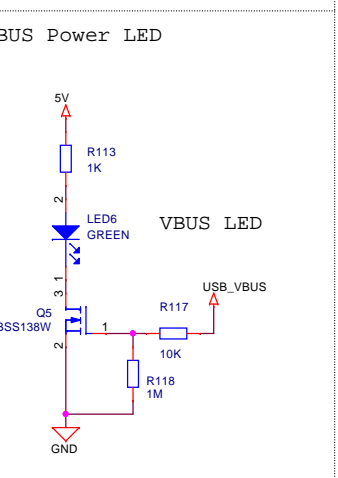
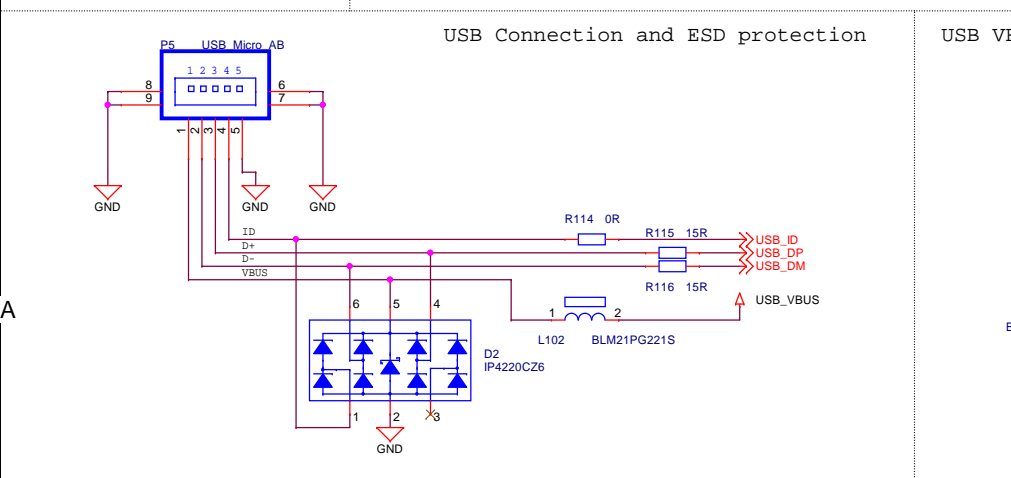
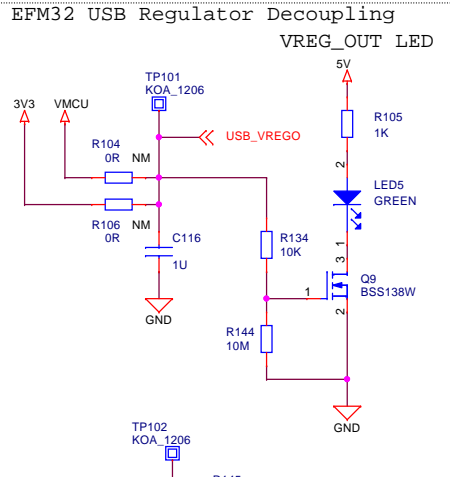
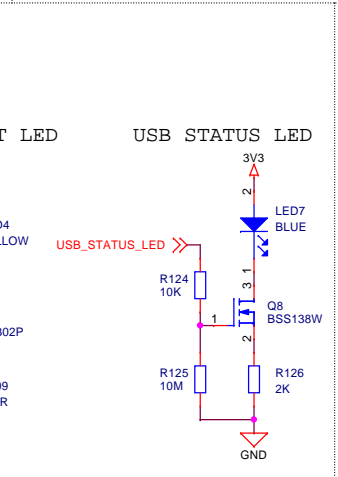
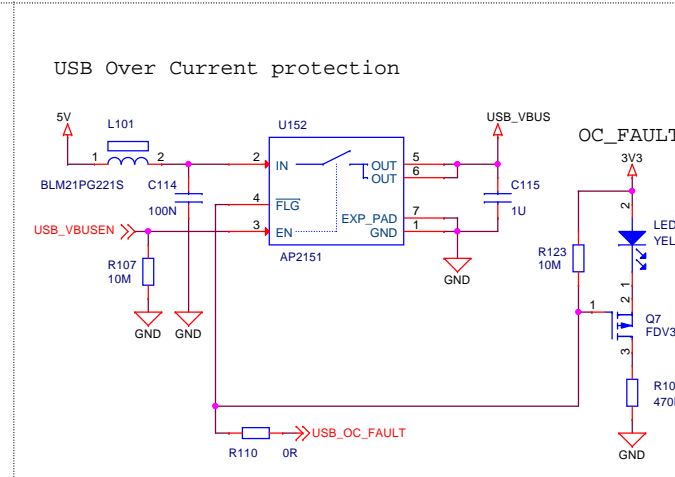
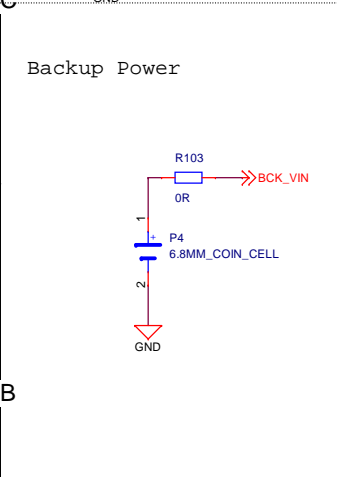
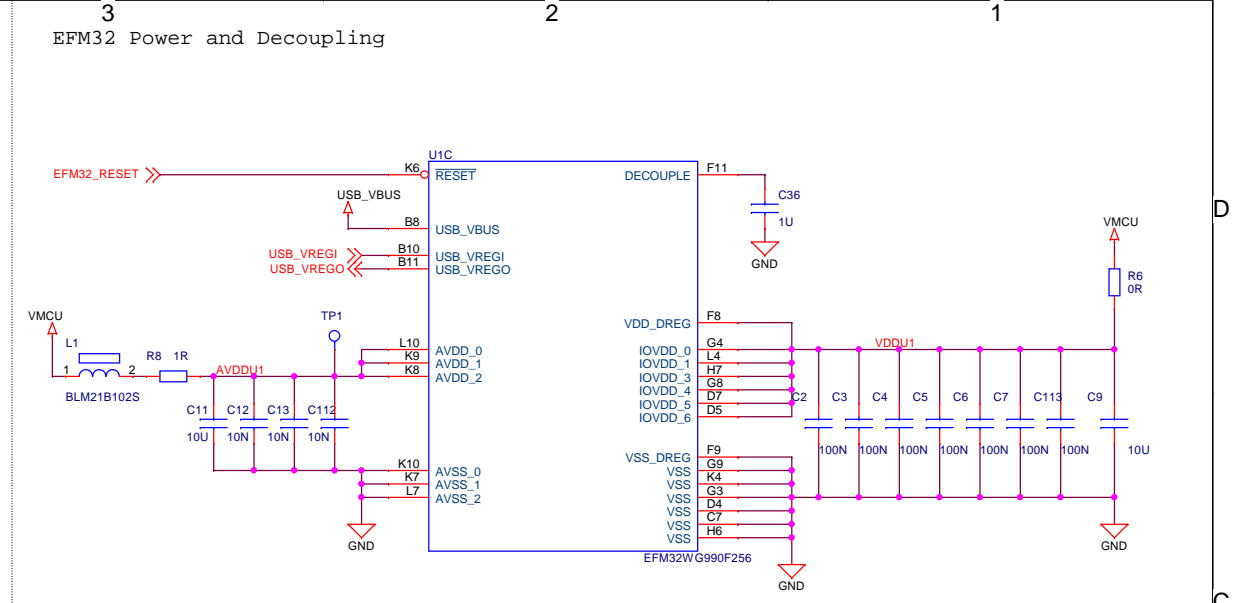
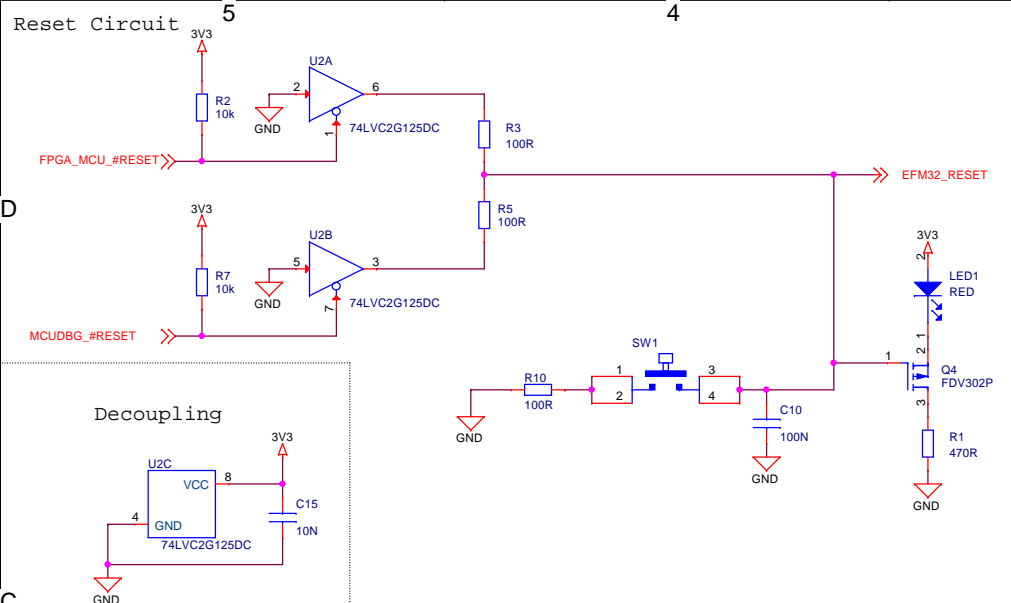


EFM32W990F256

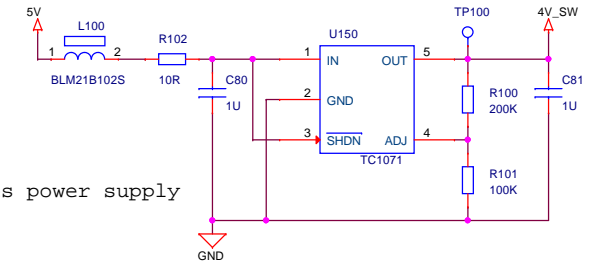
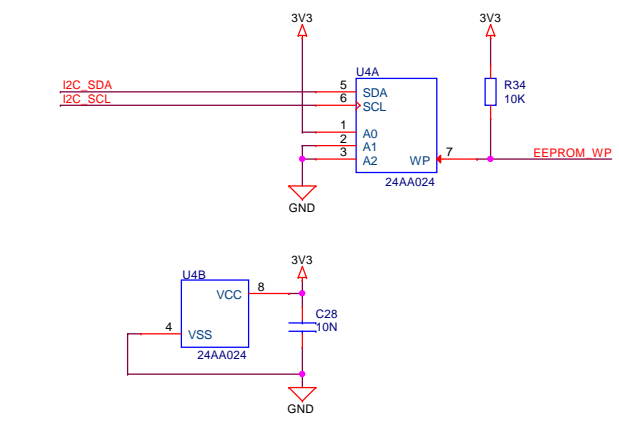
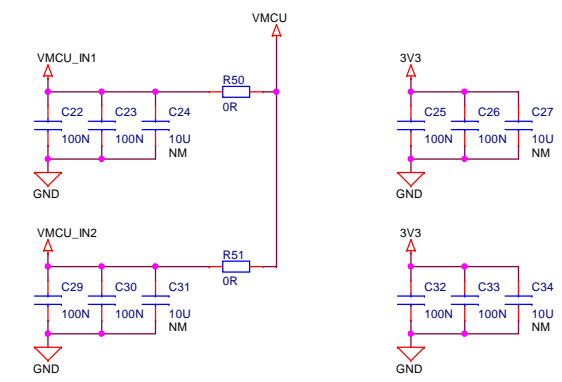
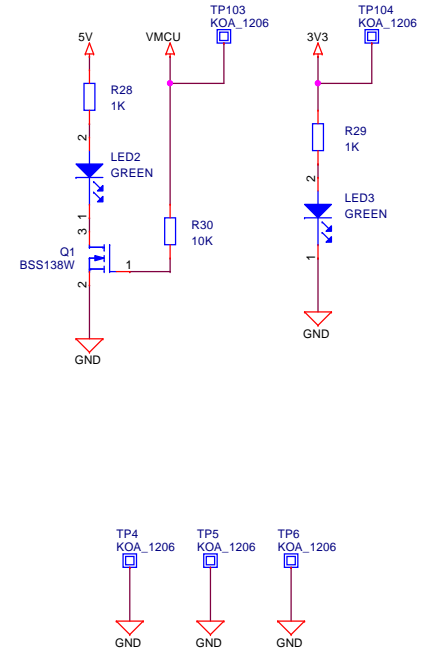
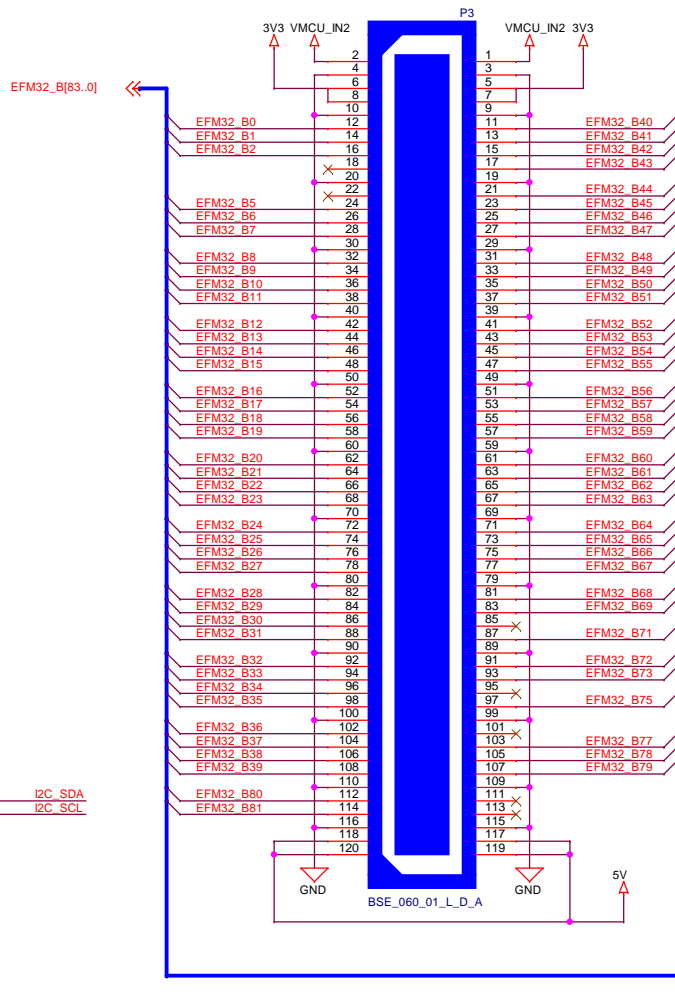
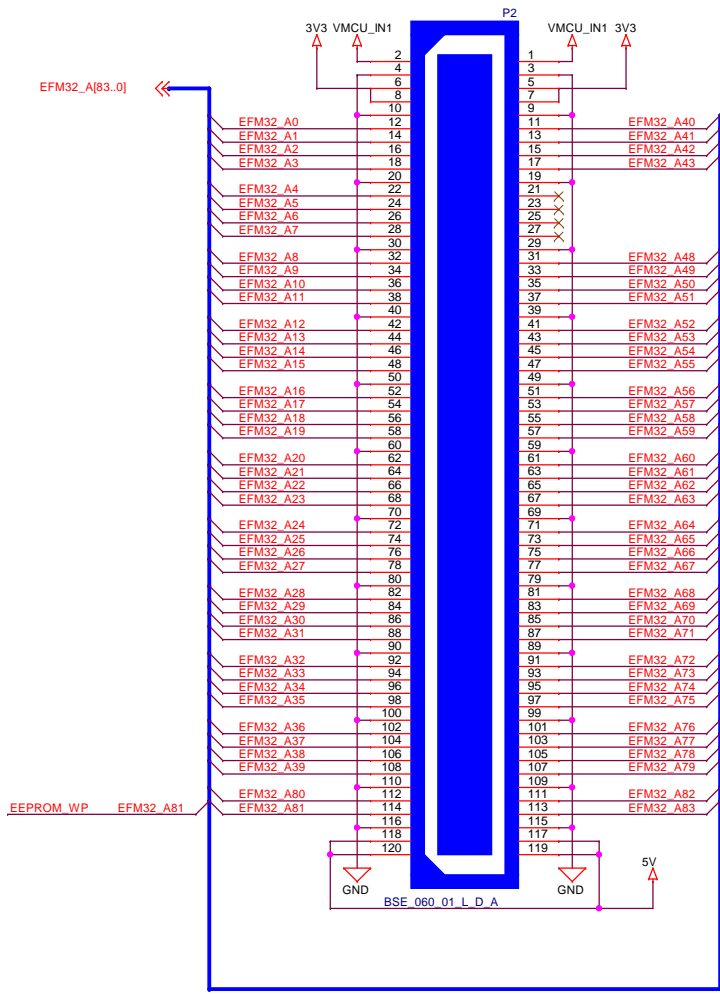
EFM32W990F256

TOP

		Schematic Title	
		<b>EFM32 Wonder Gecko MCU Plugin Board</b>	
		Page Title	
		<b>EFM32 I/O</b>	
Designed:	Approved:	Document number	
AG	JNO	<b>BRD3800A</b>	
Size	BOM Doc No:	Revision	
A3	<Cage Code>	A00	
Design Created Date:		Sheet Created Date	
Wednesday, December 03, 2008		Tuesday, April 07, 2009	
		Sheet Modified Date	
		Monday, December 17, 2012	
		Sheet	
		2 of 7	



TOP		Schematic Title	
		<b>EFM32 Wonder Gecko MCU Plugin Board</b>	
		Page Title	
		<b>EFM32 Power &amp; USB</b>	
		Document number	
		<b>BRD3800A</b>	
Designed: DDB	Approved: JNO	Sheet Created Date	Sheet Modified Date
Size A3	BOM Doc No: <Cage Code>	Wednesday, December 03, 2008	Monday, December 17, 2012
		Revision	Sheet
		A00	3 of 7



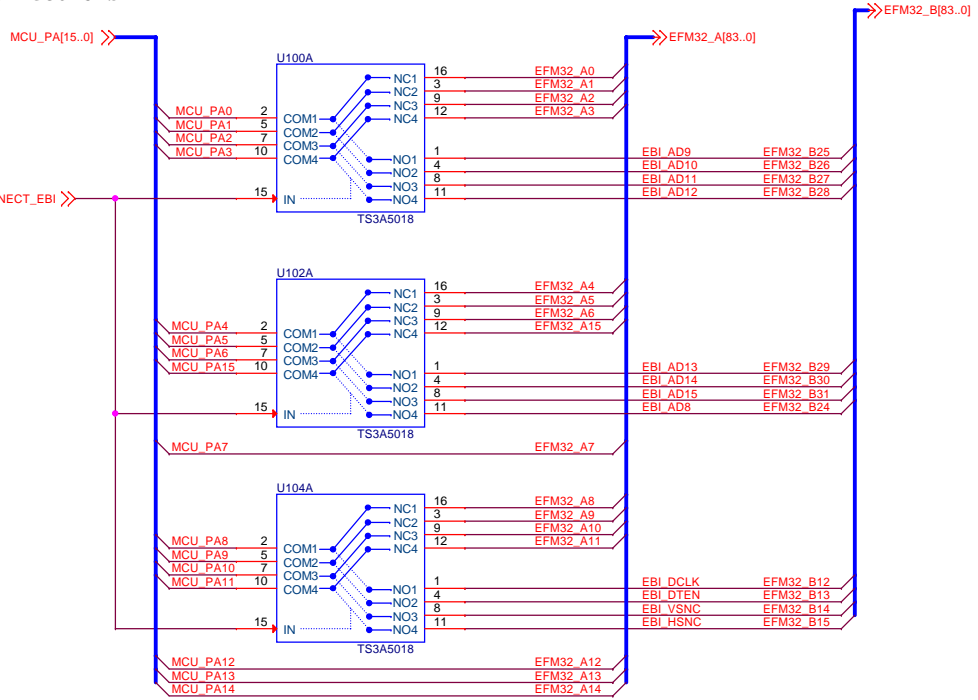
EBI/TFT Switches power supply

TOP

Designed:		Approved:		Schematic Title	
AG		JNO		EFM32 Wonder Gecko MCU Plugin Board	
Page Title		EFM32 Connectors			
Size A3		BOM Doc No: <Cage Code>		Document number	
Design Created Date:		Sheet Created Date		Revision	
Wednesday, December 03, 2008		Monday, March 16, 2009		A00	
Sheet Modified Date		Sheet Created Date		Sheet	
Monday, December 17, 2012		Monday, March 16, 2009		4 of 7	

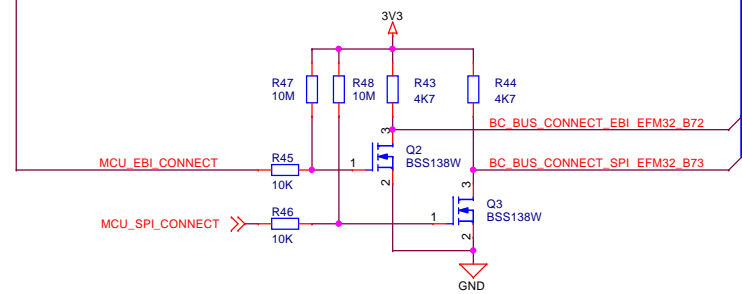
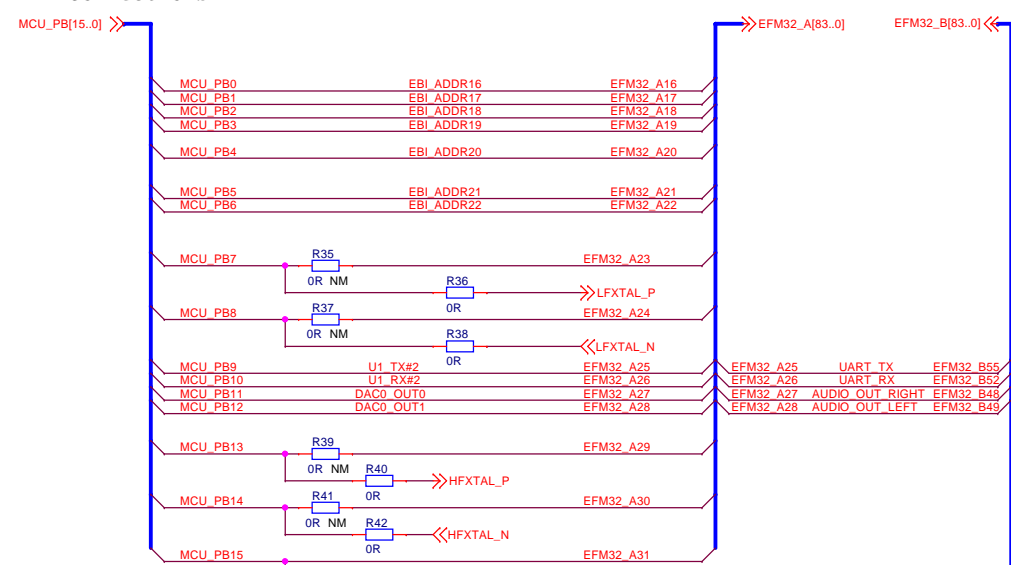
PA Connections 5

D



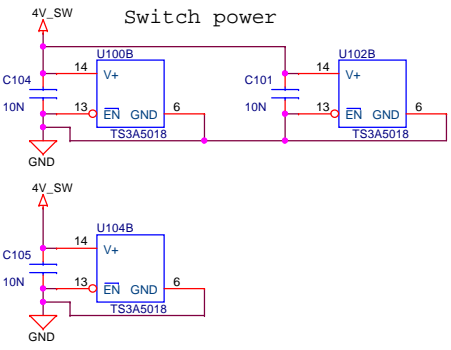
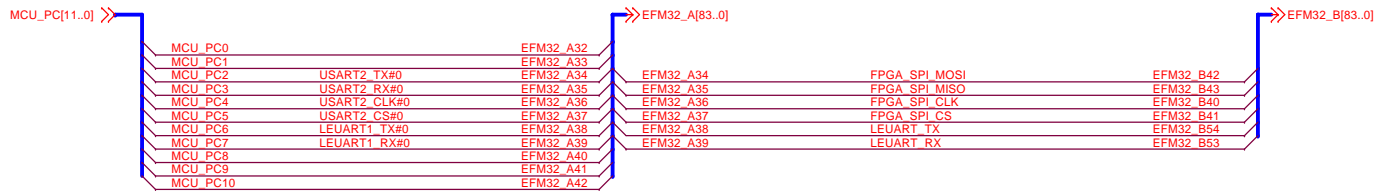
PB Connections 2

D

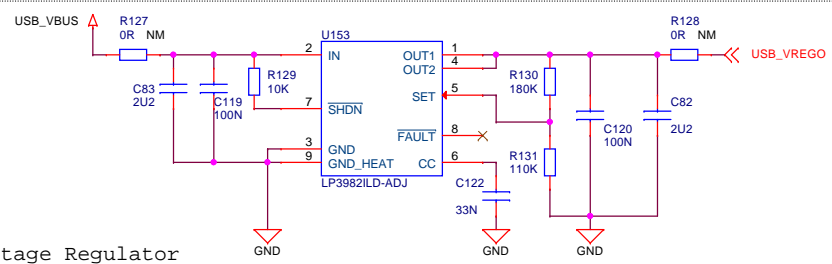


BPC Connections

A



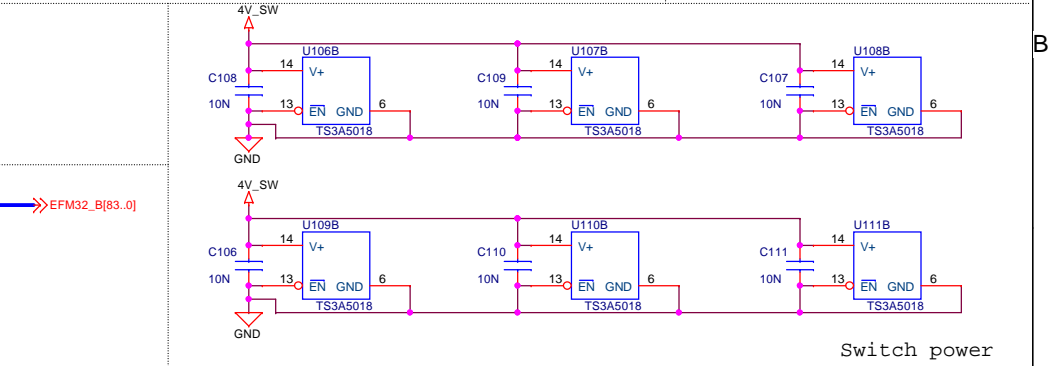
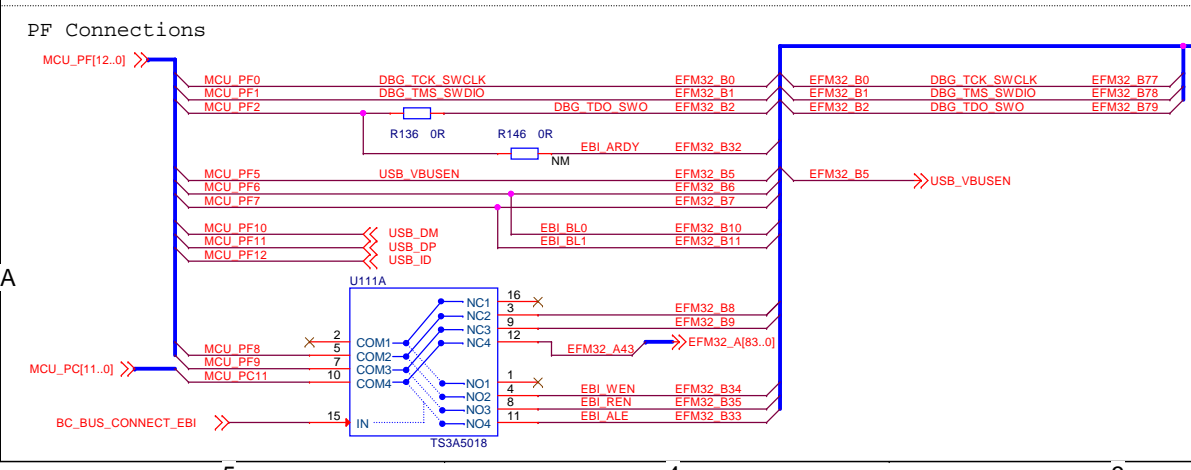
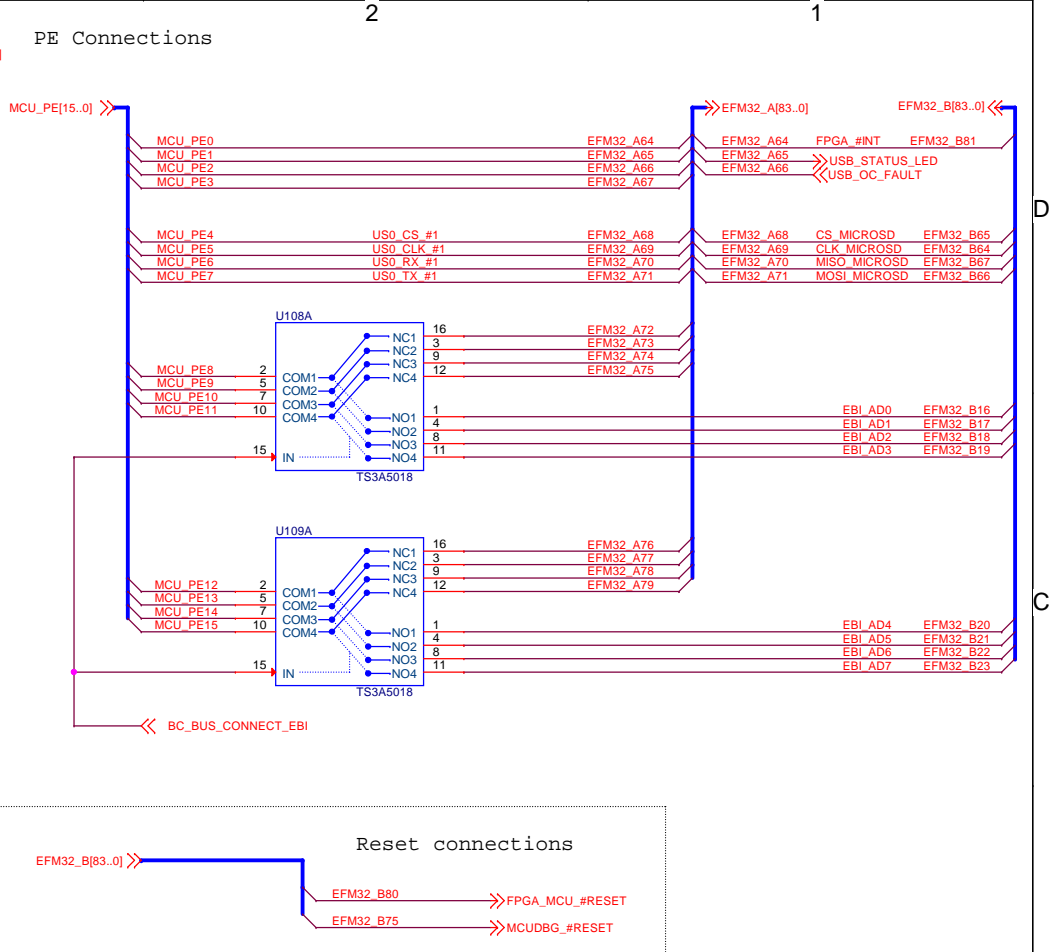
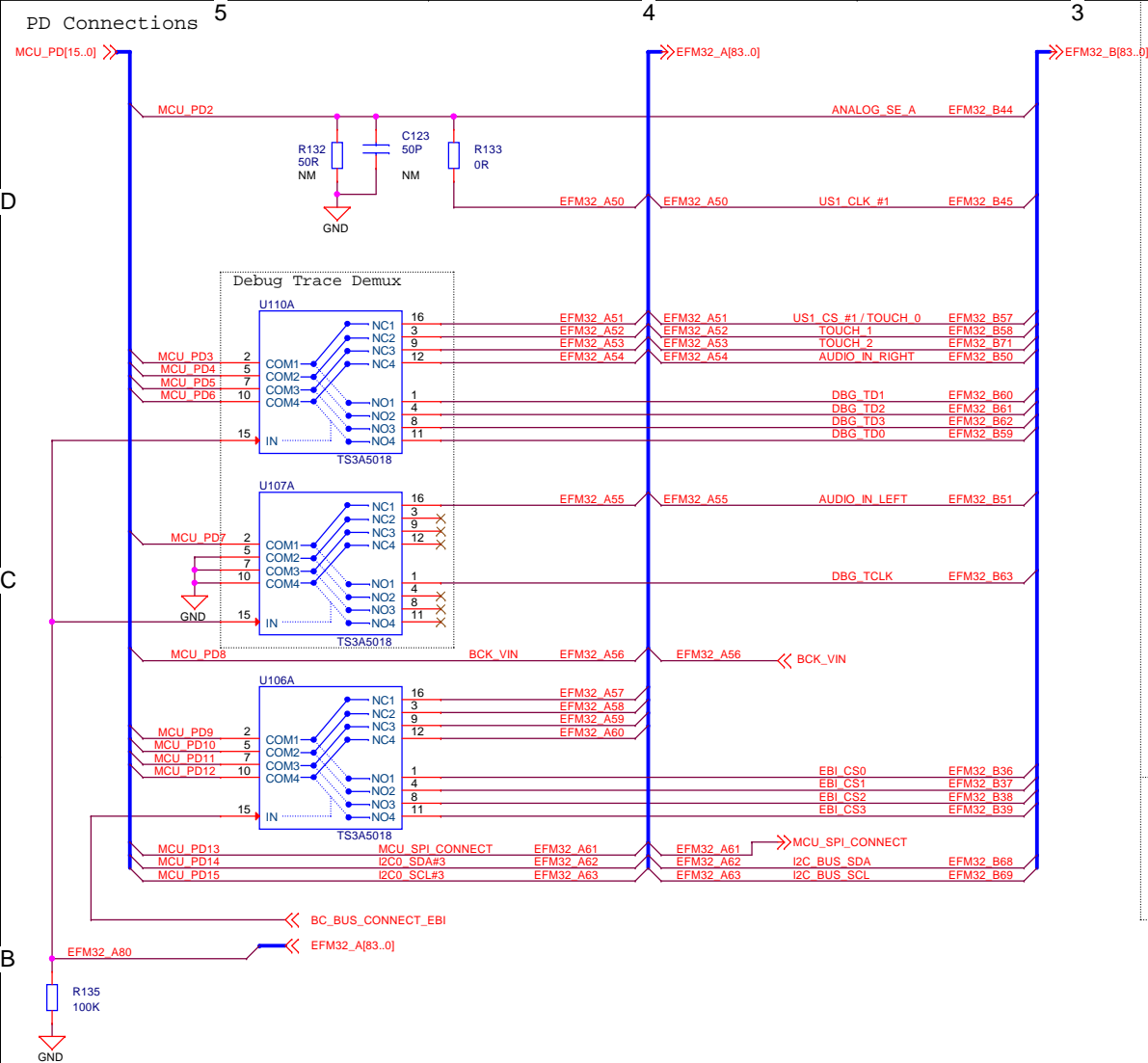
A



EFM32 Variable Voltage Regulator

TOP

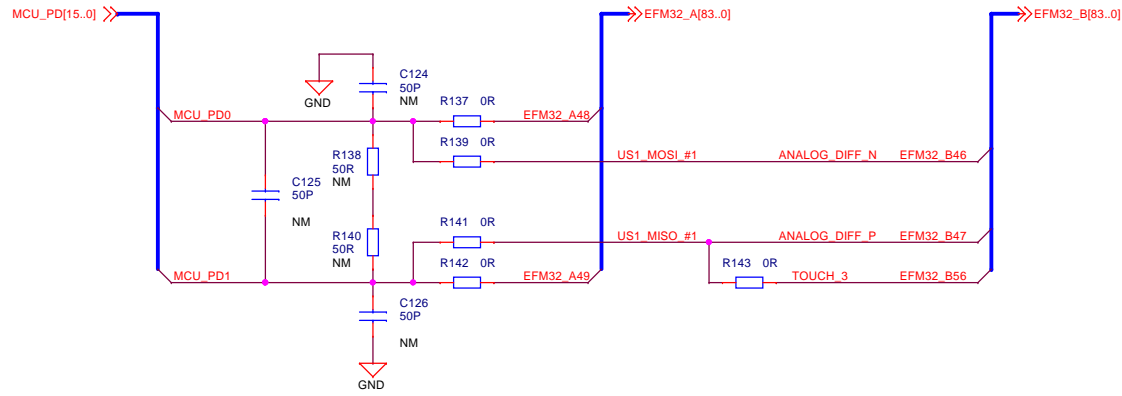
Designed: AG		Approved: JNO	
Size A3	BOM Doc No: <Cage Code>	Document number BRD3800A	
Design Created Date: Wednesday, December 03, 2008		Sheet Created Date: Monday, August 03, 2009	Sheet Modified Date: Monday, December 17, 2012
Schematic Title <b>EFM32 Wonder Gecko MCU Plugin Board</b>		Page Title <b>Signal Assignments #1</b>	
Revision A00		Sheet 5 of 7	



TOP

Designed: AG		Approved: JNO	
Size A3		BOM Doc No: <Cage Code>	
Design Created Date: Wednesday, December 03, 2008		Sheet Created Date: Tuesday, August 04, 2009	
Sheet Modified Date: Monday, December 17, 2012		Sheet 6 of 7	

Schematic Title	
<b>EFM32 Wonder Gecko MCU Plugin Board</b>	
Page Title	
<b>Signal Assignments #2</b>	
Document number	
<b>BRD3800A</b>	
Revision	A00



TOP

		Schematic Title	
		<b>EFM32 Wonder Gecko MCU Plugin Board</b>	
		Page Title	
		<b>Misc Connections</b>	
Designed: AG	Approved: JNO	Document number	Revision
Size A3	BOM Doc No: <Cage Code>	<b>BRD3800A</b>	A00
Design Created Date: Wednesday, December 03, 2008	Sheet Created Date Monday, March 14, 2011	Sheet Modified Date Monday, December 17, 2012	Sheet 7 of 7