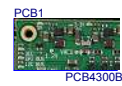




<b>MGM111 Mighty Gecko Module</b> Wireless Starter Kit Radio Board	
<b>Board Function</b>	<b>Page</b>
Title Page	1
Module	2
WSTK Connectors & Board ID	3

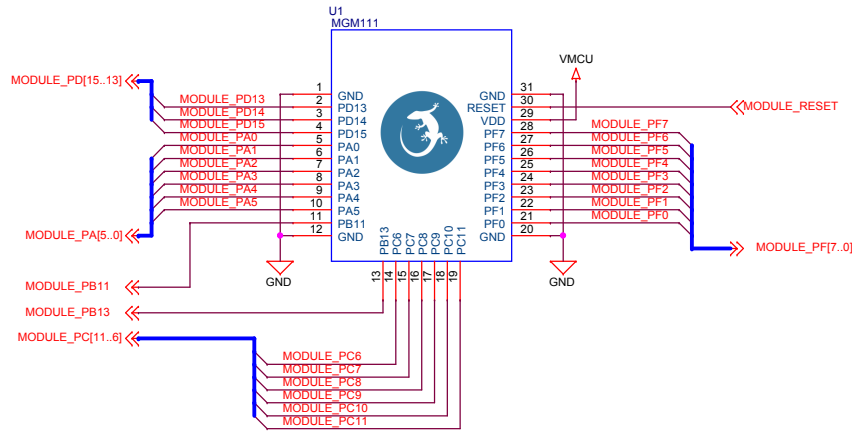
<b>Revision History</b>	
<b>Rev.</b>	<b>Description</b>
A01	Initial release.



<Schematic Path>  
SCHEMATIC1

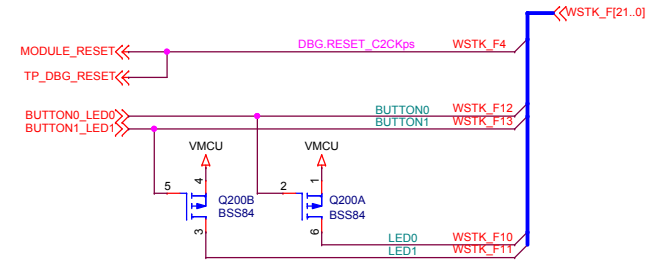
<p><b>SILICON LABS</b></p>		Schematic Title	
		<b>MGM111 Module Carrier Board</b>	
Designed: DDB Approved: JNO		Page Title	
		<b>Title Page</b>	
Size A3	BOM Doc No: <Cage Code>	Document number	Revision
Design Created Date: Monday, April 02, 2012		BRD4300B	A01
Sheet Created Date Monday, April 02, 2012		Sheet Modified Date Wednesday, August 03, 2016	Sheet 1 of 3

# Module Footprint



# Additional Connections

Reset input from mainboard

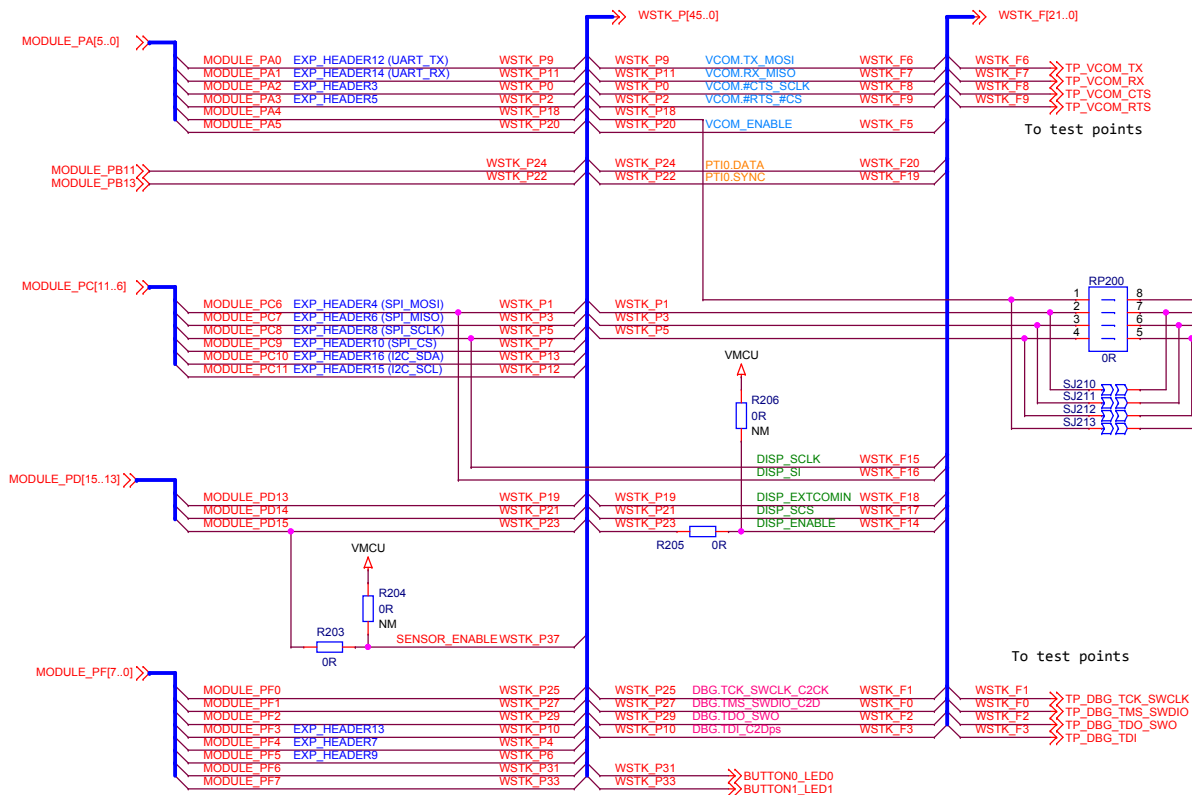


Buttons and leds connected to the same I/O pins:  
 Output: 0 = LED ON, 1 = LED OFF  
 Input: 0 = BUTTON PRESSED, 1 = BUTTON RELEASED

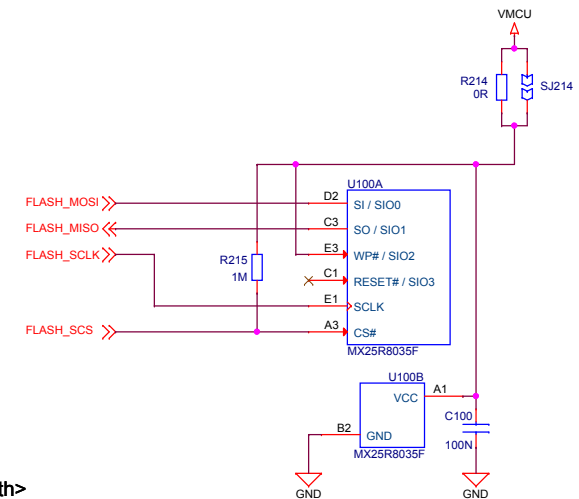
# Pin Assignments

Breakout connections

Functional Connections



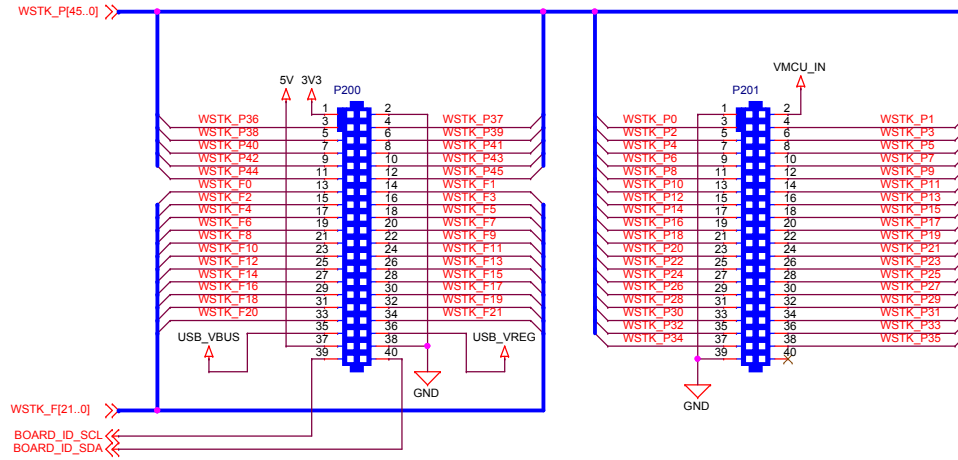
# Serial Flash



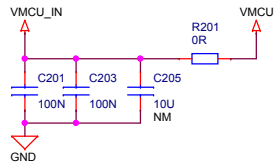
<Schematic Path>  
SCHEMATIC1

		Schematic Title	
		<b>MGM111 Module Carrier Board</b>	
Designed: <b>DDB</b> Approved: <b>JNO</b>		Page Title	
		<b>Module</b>	
Size: <b>A3</b> BOM Doc No: <b>&lt;Cage Code&gt;</b>		Document number	Revision
Design Created Date: Monday, April 02, 2012		BRD4300B	A01
Sheet Created Date: Monday, April 02, 2012		Sheet Modified Date: Wednesday, August 03, 2016	Sheet 2 of 3

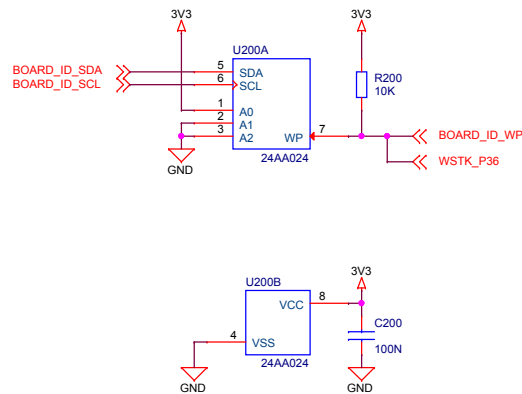
# WSTK Connectors



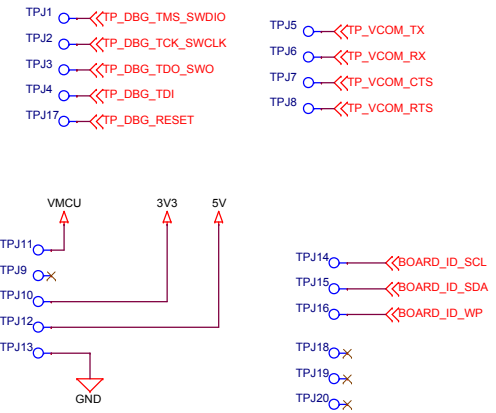
## WSTK Power Decoupling




## Board Identification



## Test Points



<Schematic Path>  
SCHEMATIC1

		Schematic Title	
		<b>MGM11 Module Carrier Board</b>	
Designed: <b>DDB</b> Approved: <b>JNO</b>		Page Title	
		<b>WSTK Connectors &amp; Board ID</b>	
Size: <b>A3</b>	BOM Doc No: <b>&lt;Cage Code&gt;</b>	Document number	Revision
Design Created Date: <b>Monday, April 02, 2012</b>	Sheet Created Date: <b>Tuesday, April 03, 2012</b>	<b>BRD4300B</b>	<b>A01</b>
	Sheet Modified Date: <b>Wednesday, August 03, 2016</b>		Sheet <b>3</b> of <b>3</b>