

C_CAN

User's Manual

Revision 1.2

06.06.00

manual_cover.fm

Robert Bosch GmbH
Automotive Equipment Division 8
Development of Integrated Circuits (MOS)

Copyright Notice and Proprietary Information

Copyright © 1998, 1999 Robert Bosch GmbH. All rights reserved. This software and manual are owned by Robert Bosch GmbH, and may be used only as authorized in the license agreement controlling such use. No part of this publication may be reproduced, transmitted, or translated, in any form or by any means, electronic, mechanical, manual, optical, or otherwise, without prior written permission of Robert Bosch GmbH, or as expressly provided by the license agreement.

Disclaimer

ROBERT BOSCH GMBH, MAKES NO WARRANTY OF ANY KIND, EXPRESS OR IMPLIED, WITH REGARD TO THIS MATERIAL, INCLUDING, BUT NOT LIMITED TO, THE IMPLIED WARRANTIES OF MERCHANTABILITY AND FITNESS FOR A PARTICULAR PURPOSE.

ROBERT BOSCH GMBH, RESERVES THE RIGHT TO MAKE CHANGES WITHOUT FURTHER NOTICE TO THE PRODUCTS DESCRIBED HEREIN. ROBERT BOSCH GMBH DOES NOT ASSUME ANY LIABILITY ARISING OUT OF THE APPLICATION OR USE OF ANY PRODUCT OR CIRCUIT DESCRIBED HEREIN.

C_CAN	1
1. About this Document	5
1.1. Change Control	5
1.1.1. Current Status	5
1.1.2. Change History	5
1.2. Conventions	5
1.3. Scope	5
1.4. References	5
1.5. Terms and Abbreviations	6
2. Functional Description	7
2.1. Functional Overview	7
2.2. Block Diagram	8
2.3. Operating Modes	9
2.3.1. Software Initialisation	9
2.3.2. CAN Message Transfer	9
2.3.3. Disabled Automatic Retransmission	10
2.3.4. Test Mode	10
2.3.5. Silent Mode	10
2.3.6. Loop Back Mode	11
2.3.7. Loop Back combined with Silent Mode	11
2.3.8. Basic Mode	12
2.3.9. Software control of Pin CAN_TX	12
3. Programmer's Model	13
3.1. Hardware Reset Description	14
3.2. CAN Protocol Related Registers	14
3.2.1. CAN Control Register (addresses 0x01 & 0x00)	14
3.2.2. Status Register (addresses 0x03 & 0x02)	15
3.2.2.1. Status Interrupts	16
3.2.3. Error Counter (addresses 0x05 & 0x04)	16
3.2.4. Bit Timing Register (addresses 0x07 & 0x06)	16
3.2.5. Test Register (addresses 0x0B & 0x0A)	17
3.2.6. BRP Extension Register (addresses 0x0D & 0x0C)	18
3.3. Message Interface Register Sets	18
3.3.1. IFx Command Request Registers	19
3.3.2. IFx Command Mask Registers	19
3.3.2.1. Direction = Write	19
3.3.2.2. Direction = Read	20
3.3.3. IFx Message Buffer Registers	21
3.3.3.1. IFx Mask Registers	21
3.3.3.2. IFx Arbitration Registers	21
3.3.3.3. IFx Message Control Registers	21
3.3.3.4. IFx Data A and Data B Registers	21
3.3.4. Message Object in the Message Memory	22

3.4. Message Handler Registers	24
3.4.1. Interrupt Register (addresses 0x09 & 0x08)	24
3.4.2. Transmission Request Registers	25
3.4.3. New Data Registers	25
3.4.4. Interrupt Pending Registers	26
3.4.5. Message Valid 1 Register	26
4. CAN Application	27
4.1. Management of Message Objects	27
4.2. Message Handler State Machine	27
4.2.1. Data Transfer from / to Message RAM	27
4.2.2. Transmission of Messages	28
4.2.3. Acceptance Filtering of Received Messages	29
4.2.3.1. Reception of Data Frame	29
4.2.3.2. Reception of Remote Frame	29
4.2.4. Receive / Transmit Priority	30
4.3. Configuration of a Transmit Object	30
4.4. Updating a Transmit Object	30
4.5. Configuration of a Receive Object	31
4.6. Handling of Received Messages	31
4.7. Configuration of a FIFO Buffer	32
4.8. Reception of Messages with FIFO Buffers	32
4.8.1. Reading from a FIFO Buffer	32
4.9. Handling of Interrupts	34
4.10. Configuration of the Bit Timing	34
4.10.1. Bit Time and Bit Rate	35
4.10.2. Propagation Time Segment	36
4.10.3. Phase Buffer Segments and Synchronisation	37
4.10.4. Oscillator Tolerance Range	39
4.10.5. Configuration of the CAN Protocol Controller	40
4.10.6. Calculation of the Bit Timing Parameters	41
4.10.6.1. Example for Bit Timing at high Baudrate	42
4.10.6.2. Example for Bit Timing at low Baudrate	42
5. CPU Interface	43
5.1. Customer Interface	43
5.2. Timing of the WAIT output signal	44
5.3. Interrupt Timing	44
6. Appendix	45
6.1. List of Figures	45

1. About this Document

1.1 Change Control

1.1.1 Current Status

Revision 1.2

1.1.2 Change History

Issue	Date	By	Change
Draft	17.12.98	C. Horst	First Draft
Draft	07.04.99	C. Horst	DAR Mode added
Draft	20.04.99	C. Horst	Signal names modified
Revision 1.0	28.09.99	C. Horst	Revised version
Revision 1.1	10.12.99	C. Horst	BRP Extension Register added
Revision 1.2	06.06.00	F. Hartwich	Document restructured

1.2 Conventions

The following conventions are used within this User's Manual.

Helvetica bold	Names of bits and signals
<i>Helvetica italic</i>	States of bits and signals

1.3 Scope

This document describes the C_CAN module and its features from the application programmer's point of view.

All information necessary to integrate the C_CAN module into an user-defined ASIC is located in the 'Module Integration Guide'.

1.4 References

This document refers to the following documents.

Ref	Author(s)	Title
1	FV/SLN1	CAN Specification Revision 2.0
2	K8/EIS1	Module Integration Guide
3	K8/EIS1	VHDL Reference CAN User's Manual
4	ISO	ISO 11898-1 "Controller Area Network (CAN) - Part 1: Data link layer and physical signalling"

1.5 Terms and Abbreviations

This document uses the following terms and abbreviations.

Term	Meaning
CAN	Controller Area Network
BSP	Bit Stream Processor
BTL	Bit Timing Logic
CRC	Cyclic Redundancy Check Register
DLC	Data Length Code
EML	Error Management Logic
FSM	Finite State Machine
TTCAN	Time Triggered CAN

2. Functional Description

2.1 Functional Overview

The C_CAN is a CAN module that can be integrated as stand-alone device or as part of an ASIC. It is described in VHDL on RTL level, prepared for synthesis. It consists of the components (see figure 1) CAN Core, Message RAM, Message Handler, Control Registers, and Module Interface.

The CAN_Core performs communication according to the CAN protocol version 2.0 part A and B. The bit rate can be programmed to values up to 1MBit/s depending on the used technology. For the connection to the physical layer additional transceiver hardware is required.

For communication on a CAN network, individual Message Objects are configured. The Message Objects and Identifier Masks for acceptance filtering of received messages are stored in the Message RAM.

All functions concerning the handling of messages are implemented in the Message Handler. Those functions are the acceptance filtering, the transfer of messages between the CAN Core and the Message RAM, and the handling of transmission requests as well as the generation of the module interrupt.

The register set of the C_CAN can be accessed directly by an external CPU via the module interface. These registers are used to control/configure the CAN Core and the Message Handler and to access the Message RAM.

The Module Interfaces delivered with the C_CAN module can easily be replaced by a customized module interface adapted to the needs of the user.

The C_CAN implements the following features:

- Supports CAN protocol version 2.0 part A and B
- Bit rates up to 1 MBit/s
- 32 Message Objects
- Each Message Object has its own identifier mask
- Programmable FIFO mode (concatenation of Message Objects)
- Maskable interrupt
- **Disabled Automatic Retransmission mode for Time Triggered CAN applications**
- Programmable loop-back mode for self-test operation
- 8-bit non-multiplex Motorola HC08 compatible module interface
- two 16-bit module interfaces to the AMBA APB bus from ARM

2.2 Block Diagram

The design consists of the following functional blocks (see figure 1):

CAN Core

CAN Protocol Controller and Rx/Tx Shift Register for serial/parallel conversion of messages.

Message RAM

Stores Message Objects and Identifier Masks.

Registers

All registers used to control and to configure the C_CAN module.

Message Handler

State Machine that controls the data transfer between the Rx/Tx Shift Register of the CAN Core and the Message RAM as well as the generation of interrupts as programmed in the Control and Configuration Registers.

Module Interface

Up to now the C_CAN module is delivered with three different interfaces. An 8-bit interface for the Motorola HC08 controller and two 16-bit interfaces to the AMBA APB bus from ARM. They can easily be replaced by a user-defined module interface.

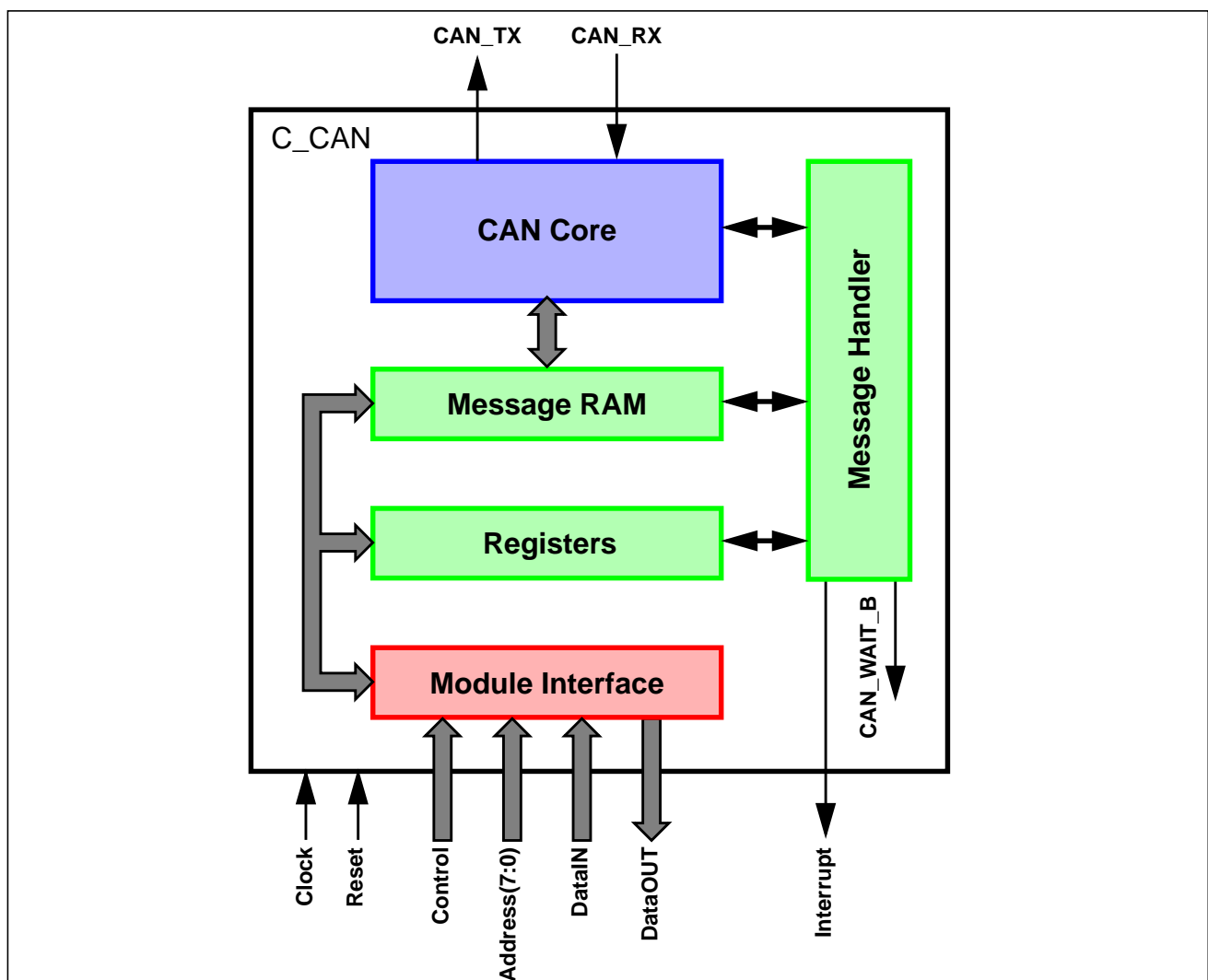


Figure 1: Block Diagram of the C_CAN

2.3 Operating Modes

2.3.1 Software Initialisation

The software initialization is started by setting the bit **Init** in the CAN Control Register, either by software or by a hardware reset, or by going *Bus_Off*.

While **Init** is set, all message transfer from and to the CAN bus is stopped, the status of the CAN bus output **CAN_TX** is *recessive* (HIGH). The counters of the EML are unchanged. Setting **Init** does not change any configuration register.

To initialize the CAN Controller, the CPU has to set up the Bit Timing Register and each Message Object. If a Message Object is not needed, it is sufficient to set its **MsgVal** bit to not valid. Otherwise, the whole Message Object has to be initialized.

Access to the Bit Timing Register and to the BRP Extension Register for the configuration of the bit timing is enabled when both bits **Init** and **CCE** in the CAN Control Register are set.

Resetting **Init** (by CPU only) finishes the software initialisation. Afterwards the Bit Stream Processor BSP (see section 4.10 on page 34) synchronizes itself to the data transfer on the CAN bus by waiting for the occurrence of a sequence of 11 consecutive *recessive* bits (\equiv *Bus Idle*) before it can take part in bus activities and starts the message transfer.

The initialization of the Message Objects is independent of **Init** and can be done on the fly, but the Message Objects should all be configured to particular identifiers or set to not valid before the BSP starts the message transfer.

To change the configuration of a Message Object during normal operation, the CPU has to start by setting **MsgVal** to not valid. When the configuration is completed, **MsgVal** is set to valid again.

2.3.2 CAN Message Transfer

Once the C_CAN is initialized and **Init** is reset to zero, the C_CAN's CAN Core synchronizes itself to the CAN bus and starts the message transfer.

Received messages are stored into their appropriate Message Objects if they pass the Message Handler's acceptance filtering. The whole message including all arbitration bits, DLC and eight data bytes is stored into the Message Object. If the Identifier Mask is used, the arbitration bits which are masked to "don't care" may be overwritten in the Message Object.

The CPU may read or write each message any time via the Interface Registers, the Message Handler guarantees data consistency in case of concurrent accesses.

Messages to be transmitted are updated by the CPU. If a permanent Message Object (arbitration and control bits set up during configuration) exists for the message, only the data bytes are updated and then **TxRqst** bit with **NewDat** bit are set to start the transmission. If several transmit messages are assigned to the same Message Object (when the number of Message Objects is not sufficient), the whole Message Object has to be configured before the transmission of this message is requested.

The transmission of any number of Message Objects may be requested at the same time, they are transmitted subsequently according to their internal priority. Messages may be updated or set to not valid any time, even when their requested transmission is still pending. The old data will be discarded when a message is updated before its pending transmission has started.

Depending on the configuration of the Message Object, the transmission of a message may be requested autonomously by the reception of a remote frame with a matching identifier.

2.3.3 Disabled Automatic Retransmission

According to the CAN Specification (see ISO11898, 6.3.3 Recovery Management), the C_CAN provides means for automatic retransmission of frames that have lost arbitration or that have been disturbed by errors during transmission. The frame transmission service will not be confirmed to the user before the transmission is successfully completed. By default, this means for automatic retransmission is enabled. It can be disabled to enable the C_CAN to work within a Time Triggered CAN (TTCAN, see ISO11898-1) environment.

The Disabled Automatic Retransmission mode is enabled by programming bit **DAR** in the CAN Control Register to *one*. In this operation mode the programmer has to consider the different behaviour of bits **TxRqst** and **NewDat** in the Control Registers of the Message Buffers:

- When a transmission starts bit **TxRqst** of the respective Message Buffer is reset, while bit **NewDat** remains set.
- When the transmission completed successfully bit **NewDat** is reset.

When a transmission failed (lost arbitration or error) bit **NewDat** remains set. To restart the transmission the CPU has to set **TxRqst** back to *one*.

2.3.4 Test Mode

The Test Mode is entered by setting bit **Test** in the CAN Control Register to *one*. In Test Mode the bits **Tx1**, **Tx0**, **LBack**, **Silent** and **Basic** in the Test Register are writable. Bit **Rx** monitors the state of pin **CAN_RX** and therefore is only readable. All Test Register functions are disabled when bit **Test** is reset to zero.

2.3.5 Silent Mode

The CAN Core can be set in Silent Mode by programming the Test Register bit **Silent** to *one*.

In Silent Mode, the C_CAN is able to receive valid data frames and valid remote frames, but it sends only *recessive* bits on the CAN bus and it cannot start a transmission. If the CAN Core is required to send a *dominant* bit (ACK bit, overload flag, active error flag), the bit is rerouted internally so that the CAN Core monitors this *dominant* bit, although the CAN bus may remain in *recessive* state. The Silent Mode can be used to analyse the traffic on a CAN bus without affecting it by the transmission of *dominant* bits (Acknowledge Bits, Error Frames). Figure 2 shows the connection of signals **CAN_TX** and **CAN_RX** to the CAN Core in Silent Mode.

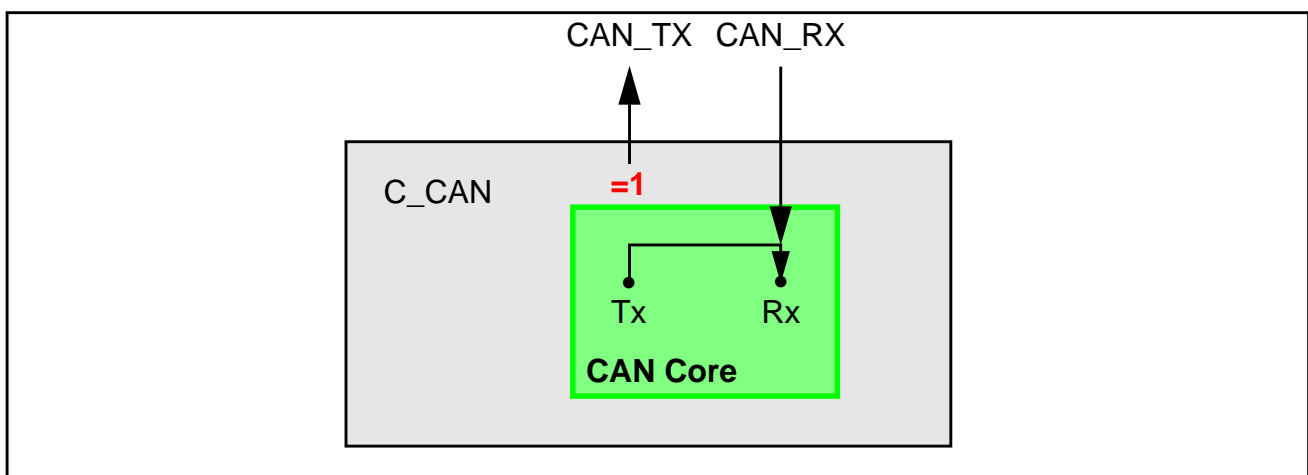


Figure 2: CAN Core in Silent Mode

In ISO 11898-1, the Silent Mode is called the Bus Monitoring Mode.

2.3.6 Loop Back Mode

The CAN Core can be set in Loop Back Mode by programming the Test Register bit **LBack** to *one*. In Loop Back Mode, the CAN Core treats its own transmitted messages as received messages and stores them (if they pass acceptance filtering) into a Receive Buffer. Figure 3 shows the connection of signals **CAN_TX** and **CAN_RX** to the CAN Core in Loop Back Mode.

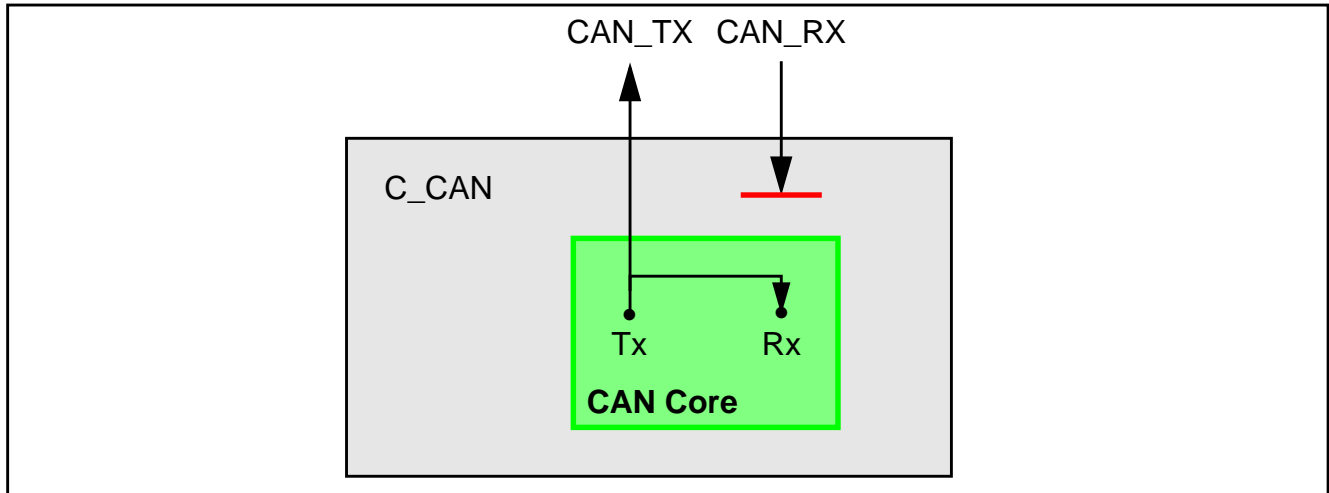


Figure 3: CAN Core in Loop Back Mode

This mode is provided for self-test functions. To be independent from external stimulation, the CAN Core ignores acknowledge errors (recessive bit sampled in the acknowledge slot of a data/remote frame) in Loop Back Mode. In this mode the CAN Core performs an internal feedback from its Tx output to its Rx input. The actual value of the **CAN_RX** input pin is disregarded by the CAN Core. The transmitted messages can be monitored at the **CAN_TX** pin.

2.3.7 Loop Back combined with Silent Mode

It is also possible to combine Loop Back Mode and Silent Mode by programming bits **LBack** and **Silent** to *one* at the same time. This mode can be used for a "Hot Selftest", meaning the C_CAN can be tested without affecting a running CAN system connected to the pins **CAN_TX** and **CAN_RX**. In this mode the **CAN_RX** pin is disconnected from the CAN Core and the **CAN_TX** pin is held *recessive*. Figure 4 shows the connection of signals **CAN_TX** and **CAN_RX** to the CAN Core in case of the combination of Loop Back Mode with Silent Mode.

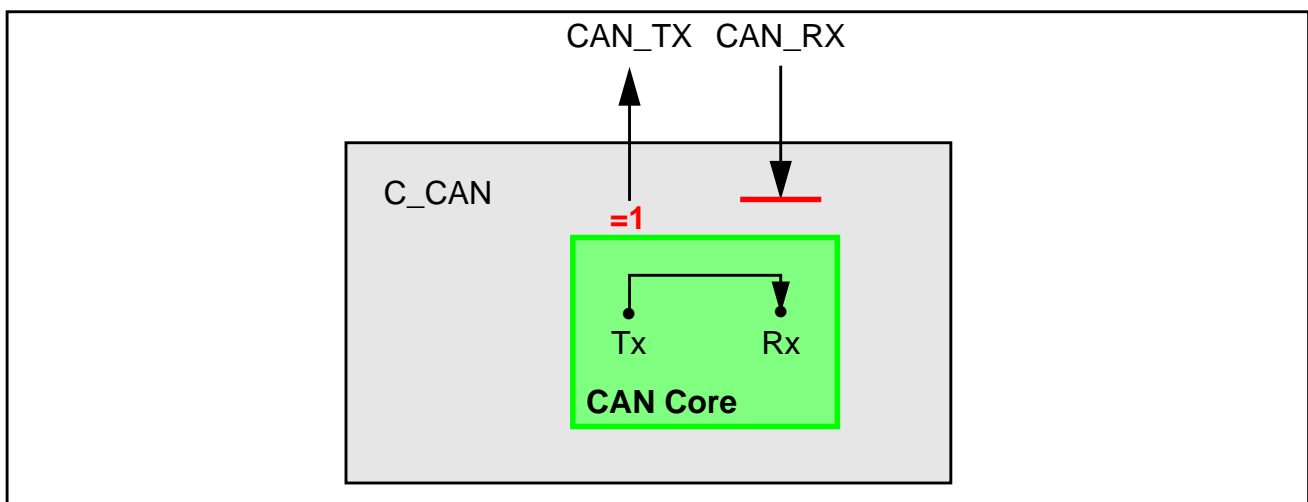


Figure 4: CAN Core in Loop Back combined with Silent Mode

2.3.8 Basic Mode

The CAN Core can be set in Basic Mode by programming the Test Register bit **Basic** to *one*. In this mode the C_CAN module runs without the Message RAM.

The IF1 Registers are used as Transmit Buffer. The transmission of the contents of the IF1 Registers is requested by writing the **Busy** bit of the IF1 Command Request Register to '1'. The IF1 Registers are locked while the **Busy** bit is set. The **Busy** bit indicates that the transmission is pending.

As soon the CAN bus is idle, the IF1 Registers are loaded into the shift register of the CAN Core and the transmission is started. When the transmission has completed, the **Busy** bit is reset and the locked IF1 Registers are released.

A pending transmission can be aborted at any time by resetting the **Busy** bit in the IF1 Command Request Register while the IF1 Registers are locked. If the CPU has reset the Busy bit, a possible retransmission in case of lost arbitration or in case of an error is disabled.

The IF2 Registers are used as Receive Buffer. After the reception of a message the contents of the shift register is stored into the IF2 Registers, without any acceptance filtering.

Additionally, the actual contents of the shift register can be monitored during the message transfer. Each time a read Message Object is initiated by writing the **Busy** bit of the IF2 Command Request Register to '1', the contents of the shift register is stored into the IF2 Registers.

In Basic Mode the evaluation of all Message Object related control and status bits and of the control bits of the IFx Command Mask Registers is turned off. The message number of the Command request registers is not evaluated. The **NewDat** and **MsgLst** bits of the IF2 Message Control Register retain their function, **DLC3-0** will show the received **DLC**, the other control bits will be read as '0'.

In Basic Mode the ready output **CAN_WAIT_B** is disabled (always '1').

2.3.9 Software control of Pin CAN_TX

Four output functions are available for the CAN transmit pin **CAN_TX**. Additionally to its default function – the serial data output – it can drive the CAN Sample Point signal to monitor CAN_Core's bit timing and it can drive constant dominant or recessive values. The last two functions, combined with the readable CAN receive pin **CAN_RX**, can be used to check the CAN bus' physical layer.

The output mode of pin **CAN_TX** is selected by programming the Test Register bits **Tx1** and **Tx0** as described in section 3.2.5 on page 17.

The three test functions for pin **CAN_TX** interfere with all CAN protocol functions. **CAN_TX** must be left in its default function when CAN message transfer or any of the test modes Loop Back Mode, Silent Mode, or Basic Mode are selected.

3. Programmer's Model

The C_CAN module allocates an address space of 256 bytes. The registers are organized as 16-bit registers, with the high byte at the odd address and the low byte at the even address.

The two sets of interface registers (IF1 and IF2) control the CPU access to the Message RAM. They buffer the data to be transferred to and from the RAM, avoiding conflicts between CPU accesses and message reception/transmission.

Address	Name	Reset Value	Note
CAN Base + 0x00	CAN Control Register	0x0001	
CAN Base + 0x02	Status Register	0x0000	
CAN Base + 0x04	Error Counter	0x0000	read only
CAN Base + 0x06	Bit Timing Register	0x2301	write enabled by CCE
CAN Base + 0x08	Interrupt Register	0x0000	read only
CAN Base + 0x0A	Test Register	0x00 & 0br0000000 ¹⁾	write enabled by Test
CAN Base + 0x0C	BRP Extension Register	0x0000	write enabled by CCE
CAN Base + 0x0E	— reserved	— ³⁾	
CAN Base + 0x10	IF1 Command Request	0x0001	
CAN Base + 0x12	IF1 Command Mask	0x0000	
CAN Base + 0x14	IF1 Mask 1	0xFFFF	
CAN Base + 0x16	IF1 Mask 2	0xFFFF	
CAN Base + 0x18	IF1 Arbitration 1	0x0000	
CAN Base + 0x1A	IF1 Arbitration2	0x0000	
CAN Base + 0x1C	IF1 Message Control	0x0000	
CAN Base + 0x1E	IF1 Data A 1	0x0000	
CAN Base + 0x20	IF1 Data A 2	0x0000	
CAN Base + 0x22	IF1 Data B 1	0x0000	
CAN Base + 0x24	IF1 Data B 2	0x0000	
CAN Base + 0x28 - 0x3E	— reserved	— ³⁾	
CAN Base + 0x40 - 0x54	IF2 Registers	see note ²⁾	same as IF1 Registers
CAN Base + 0x56 - 0x7E	— reserved	— ³⁾	
CAN Base + 0x80	Transmission Request 1	0x0000	read only
CAN Base + 0x82	Transmission Request 2	0x0000	read only
CAN Base + 0x84 - 0x8E	— reserved	— ³⁾	
CAN Base + 0x90	New Data 1	0x0000	read only
CAN Base + 0x92	New Data 2	0x0000	read only
CAN Base + 0x94 - 0x9E	— reserved	— ³⁾	
CAN Base + 0xA0	Interrupt Pending 1	0x0000	read only
CAN Base + 0xA2	Interrupt Pending 2	0x0000	read only
CAN Base + 0xA4 - 0xAE	— reserved	— ³⁾	
CAN Base + 0xB0	Message Valid 1	0x0000	read only
CAN Base + 0xB2	Message Valid 2	0x0000	read only
CAN Base + 0xB4 - 0xBE	— reserved	— ³⁾	

¹⁾ r signifies the actual value of the CAN_RX pin.

²⁾ The two sets of Message Interface Registers - IF1 and IF2 - have identical functions.

³⁾ Reserved bits are read as '0' except for IFx Mask 2 Register where they are read as '1'

Figure 5: C_CAN Register Summary

3.1 Hardware Reset Description

After hardware reset, the registers of the C_CAN hold the values described in figure 5.

Additionally the *busoff* state is reset and the output **CAN_TX** is set to *recessive* (HIGH). The value 0x0001 (**Init** = '1') in the CAN Control Register enables the software initialisation. The C_CAN does not influence the CAN bus until the CPU resets **Init** to '0'.

The data stored in the Message RAM is not affected by a hardware reset. After power-on, the contents of the Message RAM is undefined.

3.2 CAN Protocol Related Registers

These registers are related to the CAN protocol controller in the CAN Core. They control the operating modes and the configuration of the CAN bit timing and provide status information.

3.2.1 CAN Control Register (addresses 0x01 & 0x00)

15	14	13	12	11	10	9	8	7	6	5	4	3	2	1	0
res	res	res	res	res	res	res	res	Test	CCE	DAR	res	EIE	SIE	IE	Init
r	r	r	r	r	r	r	r	rw	rw	rw	r	rw	rw	rw	rw

Test	Test Mode Enable <i>one</i> Test Mode. <i>zero</i> Normal Operation.
CCE	Configuration Change Enable <i>one</i> The CPU has write access to the Bit Timing Register (while Init = <i>one</i>). <i>zero</i> The CPU has no write access to the Bit Timing Register.
DAR	Disable Automatic Retransmission <i>one</i> Automatic Retransmission disabled. <i>zero</i> Automatic Retransmission of disturbed messages enabled.
EIE	Error Interrupt Enable <i>one</i> Enabled - A change in the bits BOff or EWarn in the Status Register will generate an interrupt. <i>zero</i> Disabled - No Error Status Interrupt will be generated.
SIE	Status Change Interrupt Enable <i>one</i> Enabled - An interrupt will be generated when a message transfer is successfully completed or a CAN bus error is detected. <i>zero</i> Disabled - No Status Change Interrupt will be generated.
IE	Module Interrupt Enable <i>one</i> Enabled - Interrupts will set IRQ_B to LOW. IRQ_B remains LOW until all pending interrupts are processed. <i>zero</i> Disabled - Module Interrupt IRQ_B is always HIGH.
Init	Initialization <i>one</i> Initialization is started. <i>zero</i> Normal Operation.

Note : The *busoff* recovery sequence (see CAN Specification Rev. 2.0) cannot be shortened by setting or resetting **Init**. If the device goes *busoff*, it will set **Init** of its own accord, stopping all bus activities. Once **Init** has been cleared by the CPU, the device will then wait for 129

occurrences of *Bus Idle* (129 * 11 consecutive *recessive* bits) before resuming normal operations. At the end of the busoff recovery sequence, the Error Management Counters will be reset.

During the waiting time after the resetting of **Init**, each time a sequence of 11 *recessive* bits has been monitored, a **Bit0Error** code is written to the Status Register, enabling the CPU to readily check up whether the CAN bus is stuck at *dominant* or continuously disturbed and to monitor the proceeding of the busoff recovery sequence.

3.2.2 Status Register (addresses 0x03 & 0x02)

15	14	13	12	11	10	9	8	7	6	5	4	3	2	1	0
res	res	res	res	res	res	res	res	Boff	EWarn	EPass	RxOk	TxOk	LEC		
r	r	r	r	r	r	r	r	r	r	r	r	rw	rw	rw	

Boff Busoff Status

one The CAN module is in busoff state.

zero The CAN module is not busoff.

EWarn Warning Status

one At least one of the error counters in the EML has reached the error warning limit of 96.

zero Both error counters are below the error warning limit of 96.

EPass Error Passive

one The CAN Core is in the *error passive* state as defined in the CAN Specification.

zero The CAN Core is *error active*.

RxOk Received a Message Successfully

one Since this bit was last reset (to zero) by the CPU, a message has been successfully received (independent of the result of acceptance filtering).

zero Since this bit was last reset by the CPU, no message has been successfully received. This bit is never reset by the CAN Core.

TxOk Transmitted a Message Successfully

one Since this bit was last reset by the CPU, a message has been successfully (error free and acknowledged by at least one other node) transmitted.

zero Since this bit was reset by the CPU, no message has been successfully transmitted. This bit is never reset by the CAN Core.

LEC Last Error Code (Type of the last error to occur on the CAN bus)

0 **No Error**

1 **Stuff Error** : More than 5 equal bits in a sequence have occurred in a part of a received message where this is not allowed.

2 **Form Error** : A fixed format part of a received frame has the wrong format.

3 **AckError** : The message this CAN Core transmitted was not acknowledged by another node.

4 **Bit1Error** : During the transmission of a message (with the exception of the arbitration field), the device wanted to send a *recessive* level (bit of logical value '1'), but the monitored bus value was *dominant*.

- 5 **Bit0Error** : During the transmission of a message (or acknowledge bit, or active error flag, or overload flag), the device wanted to send a *dominant* level (data or identifier bit logical value '0'), but the monitored Bus value was *recessive*. During *busoff* recovery this status is set each time a sequence of 11 *recessive* bits has been monitored. This enables the CPU to monitor the proceeding of the busoff recovery sequence (indicating the bus is not stuck at *dominant* or continuously disturbed).
- 6 **CRCError** : The CRC check sum was incorrect in the message received, the CRC received for an incoming message does not match with the calculated CRC for the received data.
- 7 unused : When the LEC shows the value '7', no CAN bus event was detected since the CPU wrote this value to the LEC.

The **LEC** field holds a code which indicates the type of the last error to occur on the CAN bus. This field will be cleared to '0' when a message has been transferred (reception or transmission) without error. The unused code '7' may be written by the CPU to check for updates.

3.2.2.1 Status Interrupts

A Status Interrupt is generated by bits **BOff** and **EWarn** (Error Interrupt) or by **RxOk**, **TxOk**, and **LEC** (Status Change Interrupt) assumed that the corresponding enable bits in the CAN Control Register are set. A change of bit **EPass** or a write to **RxOk**, **TxOk**, or **LEC** will never generate a Status Interrupt.

Reading the Status Register will clear the Status Interrupt value (8000h) in the Interrupt Register, if it is pending.

3.2.3 Error Counter (addresses 0x05 & 0x04)

15	14	13	12	11	10	9	8	7	6	5	4	3	2	1	0
RP	REC6-0							TEC7-0							
r	r							r							

RP Receive Error Passive
one The Receive Error Counter has reached the *error passive* level as defined in the CAN Specification.
zero The Receive Error Counter is below the *error passive* level.

REC6-0 Receive Error Counter
 Actual state of the Receive Error Counter. Values between 0 and 127.

TEC7-0 Transmit Error Counter
 Actual state of the Transmit Error Counter. Values between 0 and 255.

3.2.4 Bit Timing Register (addresses 0x07 & 0x06)

15	14	13	12	11	10	9	8	7	6	5	4	3	2	1	0
res	TSeg2			TSeg1				SJW		BRP					
r	rw			rw				rw		rw					

TSeg1 The time segment before the sample point
0x01-0x0F valid values for **TSeg1** are [1 ... 15]. The actual interpretation by the hardware of this value is such that one more than the value programmed here is used.

- TSeg2** The time segment after the sample point
0x0-0x7 valid values for **TSeg2** are [0 ... 7]. The actual interpretation by the hardware of this value is such that one more than the value programmed here is used.
- SJW** (Re)Synchronisation Jump Width
0x0-0x3 Valid programmed values are 0-3. The actual interpretation by the hardware of this value is such that one more than the value programmed here is used.
- BRP** Baud Rate Prescaler
0x01-0x3F The value by which the oscillator frequency is divided for generating the bit time quanta. The bit time is built up from a multiple of this quanta. Valid values for the Baud Rate Prescaler are [0 ... 63]. The actual interpretation by the hardware of this value is such that one more than the value programmed here is used.

Note: With a module clock **CAN_CLK** of 8 MHz, the reset value of 0x2301 configures the C_CAN for a bit rate of 500 kBit/s. The registers are only writable if bits **CCE** and **Init** in the CAN Control Register are set.

3.2.5 Test Register (addresses 0x0B & 0x0A)

15	14	13	12	11	10	9	8	7	6	5	4	3	2	1	0
res	res	res	res	res	res	res	res	Rx	Tx1	Tx0	LBack	Silent	Basic	res	res
r	r	r	r	r	r	r	r	r	rw	rw	rw	rw	rw	r	r

- Rx** Monitors the actual value of the **CAN_RX** Pin
one The CAN bus is recessive (**CAN_RX** = '1').
zero The CAN bus is dominant (**CAN_RX** = '0').
- Tx1-0** Control of **CAN_TX** pin
00 Reset value, **CAN_TX** is controlled by the CAN Core.
01 Sample Point can be monitored at **CAN_TX** pin.
10 **CAN_TX** pin drives a dominant ('0') value.
11 **CAN_TX** pin drives a recessive ('1') value.
- LBack** Loop Back Mode
one Loop Back Mode is enabled.
zero Loop Back Mode is disabled.
- Silent** Silent Mode
one The module is in Silent Mode
zero Normal operation.
- Basic** Basic Mode
one IF1 Registers used as Tx Buffer, IF2 Registers used as Rx Buffer.
zero Basic Mode disabled.

Write access to the Test Register is enabled by setting bit **Test** in the CAN Control Register. The different test functions may be combined, but **Tx1-0** ≠ "00" disturbs message transfer.

3.2.6 BRP Extension Register (addresses 0x0D & 0x0C)

15	14	13	12	11	10	9	8	7	6	5	4	3	2	1	0
res	res	res	res	res	res	res	res	res	res	res	res	BRPE			
r	r	r	r	r	r	r	r	r	r	r	r	rw			

BRPE Baud Rate Prescaler Extension

0x00-0x0F

By programming **BRPE** the Baud Rate Prescaler can be extended to values up to 1023. The actual interpretation by the hardware is that one more than the value programmed by **BRPE** (MSBs) and **BRP** (LSBs) is used.

3.3 Message Interface Register Sets

There are two sets of Interface Registers which are used to control the CPU access to the Message RAM. The Interface Registers avoid conflicts between CPU access to the Message RAM and CAN message reception and transmission by buffering the data to be transferred. A complete Message Object (see chapter 3.3.4) or parts of the Message Object may be transferred between the Message RAM and the IFx Message Buffer registers (see chapter 3.3.3) in one single transfer.

The function of the two interface register sets is identical (except for test mode **Basic**). They can be used the way that one set of registers is used for data transfer **to** the Message RAM while the other set of registers is used for the data transfer **from** the Message RAM, allowing both processes to be interrupted by each other. Figure 6 gives an overview of the two Interface Register sets.

Each set of Interface Registers consists of Message Buffer Registers controlled by their own Command Registers. The Command Mask Register specifies the direction of the data transfer and which parts of a Message Object will be transferred. The Command Request Register is used to select a Message Object in the Message RAM as target or source for the transfer and to start the action specified in the Command Mask Register.

Address	IF1 Register Set	Address	IF1 Register Set
CAN Base + 0x10	IF1 Command Request	CAN Base + 0x40	IF2 Command Request
CAN Base + 0x12	IF1 Command Mask	CAN Base + 0x42	IF2 Command Mask
CAN Base + 0x14	IF1 Mask 1	CAN Base + 0x44	IF2 Mask 1
CAN Base + 0x16	IF1 Mask 2	CAN Base + 0x46	IF2 Mask 2
CAN Base + 0x18	IF1 Arbitration 1	CAN Base + 0x48	IF2 Arbitration 1
CAN Base + 0x1A	IF1 Arbitration 2	CAN Base + 0x4A	IF2 Arbitration 2
CAN Base + 0x1C	IF1 Message Control	CAN Base + 0x4C	IF2 Message Control
CAN Base + 0x1E	IF1 Data A 1	CAN Base + 0x4E	IF2 Data A 1
CAN Base + 0x20	IF1 Data A 2	CAN Base + 0x50	IF2 Data A 2
CAN Base + 0x22	IF1 Data B 1	CAN Base + 0x52	IF2 Data B 1
CAN Base + 0x24	IF1 Data B 2	CAN Base + 0x54	IF2 Data B 2

Figure 6: IF1 and IF2 Message Interface Register Sets

3.3.1 IFx Command Request Registers

A message transfer is started as soon as the CPU has written the message number to the Command Request Register. With this write operation the **Busy** bit is automatically set to '1' and signal **CAN_WAIT_B** is pulled LOW to notify the CPU that a transfer is in progress. After a wait time of 3 to 6 **CAN_CLK** periods, the transfer between the Interface Register and the Message RAM has completed. The **Busy** bit is set back to zero and **CAN_WAIT_B** is set back to HIGH (see figure 5.2 on page 44).

IF1 Command Request Register (addresses 0x11 & 0x10)	15	14	13	12	11	10	9	8	7	6	5	4	3	2	1	0
	Busy	res	res	res	res	res	res	res	res	res	Message Number					
IF2 Command Request Register (addresses 0x41 & 0x40)	Busy	res	res	res	res	res	res	res	res	res	Message Number					
	r	r	r	r	r	r	r	r	r	r	rw					

Busy

Busy Flag

one set to one when writing to the IFx Command Request Register

zero reset to zero when read/write action has finished.

Message Number

0x01-0x20 Valid **Message Number**, the Message Object in the Message RAM is selected for data transfer.

0x00 Not a valid Message Number, interpreted as *0x20*.

0x21-0x3F Not a valid Message Number, interpreted as *0x01-0x1F*.

Note: When a **Message Number** that is not valid is written into the Command Request Register, the **Message Number** will be transformed into a valid value and that Message Object will be transferred.

3.3.2 IFx Command Mask Registers

The control bits of the IFx Command Mask Register specify the transfer direction and select which of the IFx Message Buffer Registers are source or target of the data transfer.

IF2 Command Mask Register (addresses 0x13 & 0x12)	15	14	13	12	11	10	9	8	7	6	5	4	3	2	1	0
	res								WR/RD	Mask	Arb	Control	ClrIntPnd	TxRqst/ NewDat	Data A	Data B
IF2 Command Mask Register (addresses 0x43 & 0x42)	res								WR/RD	Mask	Arb	Control	ClrIntPnd	TxRqst/ NewDat	Data A	Data B
	r	r	r	r	r	r	r	r	rw	rw	rw	rw	rw	rw	rw	rw

.WR/RD Write / Read

one **Write:** Transfer data from the selected Message Buffer Registers to the Message Object addressed by the Command Request Register.

zero **Read:** Transfer data from the Message Object addressed by the Command Request Register into the selected Message Buffer Registers.

The other bits of IFx Command Mask Register have different functions depending on the transfer direction :

3.3.2.1 Direction = Write

Mask Access Mask Bits

one transfer **Identifier Mask + MDir + MXtd** to Message Object.

zero Mask bits unchanged.

Arb Access Arbitration Bits
one transfer **Identifier + Dir + Xtd + MsgVal** to Message Object.
zero Arbitration bits unchanged.

Control Access Control Bits
one transfer Control Bits to Message Object.
zero Control Bits unchanged.

ClrIntPnd Clear Interrupt Pending Bit

Note : When writing to a Message Object, this bit is ignored.

TxRqst/NewDat Access Transmission Request Bit

one set TxRqst bit
zero TxRqst bit unchanged

Note : If a transmission is requested by programming bit **TxRqst/NewDat** in the IFx Command Mask Register, bit **TxRqst** in the IFx Message Control Register will be ignored.

Data A Access Data Bytes 0-3
one transfer Data Bytes 0-3 to Message Object.
zero Data Bytes 0-3 unchanged.

Data B Access Data Bytes 4-7
one transfer Data Bytes 4-7 to Message Object.
zero Data Bytes 4-7 unchanged.

3.3.2.2 Direction = Read

Mask Access Mask Bits
one transfer **Identifier Mask + MDir + MXtd** to IFx Message Buffer Register.
zero Mask bits unchanged.

Arb Access Arbitration Bits
one transfer **Identifier + Dir + Xtd + MsgVal** to IFx Message Buffer Register.
zero Arbitration bits unchanged.

Control Access Control Bits
one transfer Control Bits to IFx Message Buffer Register.
zero Control Bits unchanged.

ClrIntPnd Clear Interrupt Pending Bit
one clear **IntPnd** bit in the Message Object.
zero **IntPnd** bit remains unchanged.

TxRqst/NewDat Access New Data Bit
one clear **NewDat** bit in the Message Object.
zero **NewDat** bit remains unchanged.

Note : A read access to a Message Object can be combined with the reset of the control bits **IntPnd** and **NewDat**. The values of these bits transferred to the IFx Message Control Register always reflect the status before resetting these bits.

Data A Access Data Bytes 0-3
one transfer Data Bytes 0-3 to IFx Message Buffer Register.
zero Data Bytes 0-3 unchanged.

Data B Access Data Bytes 4-7
one transfer Data Bytes 4-7 to IFx Message Buffer Register.
zero Data Bytes 4-7 unchanged.

3.3.3 IFx Message Buffer Registers

The bits of the Message Buffer registers mirror the Message Objects in the Message RAM. The function of the Message Objects bits is described in chapter 3.3.3.

3.3.3.1 IFx Mask Registers

IF1 Mask 1 Register (addresses 0x15 & 0x14)	15 14 13 12 11 10 9 8 7 6 5 4 3 2 1 0																		
	Msk15-0																		
IF1 Mask 2 Register (addresses 0x17 & 0x16)	MXtd	MDir	res														Msk28-16		
IF2 Mask 1 Register (addresses 0x45 & 0x44)	Msk15-0																		
IF2 Mask 2 Register (addresses 0x47 & 0x46)	MXtd	MDir	res														Msk28-16		
	rw	rw	r	rw	rw	rw	rw	rw	rw	rw	rw	rw	rw	rw	rw	rw			

3.3.3.2 IFx Arbitration Registers

IF1 Arbitration 1 Register (addresses 0x19 & 0x18)	15 14 13 12 11 10 9 8 7 6 5 4 3 2 1 0																		
	ID5-0																		
IF1 Arbitration 2 Register (addresses 0x1B & 0x1A)	MsgVal	Xtd	Dir														ID28-16		
IF2 Arbitration 1 Register (addresses 0x49 & 0x48)	ID15-0																		
IF2 Arbitration 2 Register (addresses 0x4B & 0x4A)	MsgVal	Xtd	Dir														ID28-16		
	rw	rw	rw	rw	rw	rw	rw	rw	rw	rw	rw	rw	rw	rw	rw	rw			

3.3.3.3 IFx Message Control Registers

IF1 Message Control Register (addresses 0x1D & 0x1C)	15	14	13	12	11	10	9	8	7	6	5	4	3	2	1	0
	NewDat	MsgLst	IntPnd	UMask	TxIE	RxIE	RmtEn	TxRqst	EoB	res	res	res	res	DLC3-0		
IF2 Message Control Register (addresses 0x4D & 0x4C)	NewDat	MsgLst	IntPnd	UMask	TxIE	RxIE	RmtEn	TxRqst	EoB	res	res	res	res	DLC3-0		
	rw	rw	rw	rw	rw	rw	rw	rw	rw	rw	r	r	r	rw		

3.3.3.4 IFx Data A and Data B Registers

The data bytes of CAN messages are stored in the IFx Message Buffer Registers in the following order:

	15	14	13	12	11	10	9	8	7	6	5	4	3	2	1	0
IF1 Message Data A1 (addresses 0x1F & 0x1E)	Data(1)							Data(0)								
IF1 Message Data A2 (addresses 0x21 & 0x20)	Data(3)							Data(2)								
IF1 Message Data B1 (addresses 0x23 & 0x22)	Data(5)							Data(4)								
IF1 Message Data B2 (addresses 0x25 & 0x24)	Data(7)							Data(6)								
IF2 Message Data A1 (addresses 0x4F & 0x4E)	Data(1)							Data(0)								
IF2 Message Data A2 (addresses 0x51 & 0x50)	Data(3)							Data(2)								
IF2 Message Data B1 (addresses 0x53 & 0x52)	Data(5)							Data(4)								
IF2 Message Data B2 (addresses 0x55 & 0x54)	Data(7)							Data(6)								
	rw							rw								

In a CAN Data Frame, Data(0) is the first, Data(7) is the last byte to be transmitted or received. In CAN's serial bit stream, the MSB of each byte will be transmitted first.

manual_prog_model.fm

3.3.4 Message Object in the Message Memory

There are 32 Message Objects in the Message RAM. To avoid conflicts between CPU access to the Message RAM and CAN message reception and transmission, the CPU cannot directly access the Message Objects, these accesses are handled via the IFx Interface Registers.

Figure 7 gives an overview of the two structure of a Message Object.

Message Object												
UMask	Msk28-0	MXtd	MDir	EoB	NewDat		MsgLst	RxIE	TxIE	IntPnd	RmtEn	TxRqst
MsgVal	ID28-0	Xtd	Dir	DLC3-0	Data 0	Data 1	Data 2	Data 3	Data 4	Data 5	Data 6	Data 7

Figure 7: Structure of a Message Object in the Message Memory

MsgVal Message Valid

one The Message Object is configured and should be considered by the Message Handler.

zero The Message Object is ignored by the Message Handler.

Note : The CPU must reset the **MsgVal** bit of all unused Messages Objects during the initialization before it resets bit **Init** in the CAN Control Register. This bit must also be reset before the identifier **ID28-0**, the control bits **Xtd**, **Dir**, or the Data Length Code **DLC3-0** are modified, or if the Messages Object is no longer required.

UMask Use Acceptance Mask

one Use Mask (Msk28-0, MXtd, and MDir) for acceptance filtering

zero Mask ignored.

Note : If the **UMask** bit is set to *one*, the Message Object's mask bits have to be programmed during initialization of the Message Object before **MsgVal** is set to *one*.

ID28-0 Message Identifier

ID28 - ID0 29-bit Identifier ("Extended Frame").

ID28 - ID18 11-bit Identifier ("Standard Frame").

Msk28-0 Identifier Mask

one The corresponding identifier bit is used for acceptance filtering.

zero The corresponding bit in the identifier of the message object cannot inhibit the match in the acceptance filtering.

Xtd Extended Identifier

one The 29-bit ("extended") Identifier will be used for this Message Object.

zero The 11-bit ("standard") Identifier will be used for this Message Object.

MXtd Mask Extended Identifier

one The extended identifier bit (IDE) is used for acceptance filtering.

zero The extended identifier bit (IDE) has no effect on the acceptance filtering

Note : When 11-bit ("standard") Identifiers are used for a Message Object, the identifiers of received Data Frames are written into bits **ID28** to **ID18**. For acceptance filtering, only these bits together with mask bits **Msk28** to **Msk18** are considered.

Dir	<p>Message Direction</p> <p><i>one</i> Direction = <i>transmit</i>: On TxRqst, the respective Message Object is transmitted as a Data Frame. On reception of a Remote Frame with matching identifier, the TxRqst bit of this Message Object is set (if RmtEn = <i>one</i>).</p> <p><i>zero</i> Direction = <i>receive</i>: On TxRqst, a Remote Frame with the identifier of this Message Object is transmitted. On reception of a Data Frame with matching identifier, that message is stored in this Message Object.</p>
MDir	<p>Mask Message Direction</p> <p><i>one</i> The message direction bit (Dir) is used for acceptance filtering.</p> <p><i>zero</i> The message direction bit (Dir) has no effect on the acceptance filtering.</p> <p>The Arbitration Registers ID28-0, Xtd, and Dir are used to define the identifier and type of outgoing messages and are used (together with the mask registers Msk28-0, MXtd, and MDir) for acceptance filtering of incoming messages. A received message is stored into the valid Message Object with matching identifier and Direction=<i>receive</i> (Data Frame) or Direction=<i>transmit</i> (Remote Frame). Extended frames can be stored only in Message Objects with Xtd = <i>one</i>, standard frames in Message Objects with Xtd = <i>zero</i>. If a received message (Data Frame or Remote Frame) matches with more than one valid Message Object, it is stored into that with the lowest message number. For details see chapter 4.2.3 Acceptance Filtering of Received Messages.</p>
EoB	<p>End of Buffer</p> <p><i>one</i> Single Message Object or last Message Object of a FIFO Buffer.</p> <p><i>zero</i> Message Object belongs to a FIFO Buffer and is not the last Message Object of that FIFO Buffer.</p> <p>Note : This bit is used to concatenate two or more Message Objects (up to 32) to build a FIFO Buffer. For single Message Objects (not belonging to a FIFO Buffer) this bit must always be set to one. For details on the concatenation of Message Objects see chapter 4.7.</p>
NewDat	<p>New Data</p> <p><i>one</i> The Message Handler or the CPU has written new data into the data portion of this Message Object.</p> <p><i>zero</i> No new data has been written into the data portion of this Message Object by the Message Handler since last time this flag was cleared by the CPU.</p>
MsgLst	<p>Message Lost (only valid for Message Objects with direction = <i>receive</i>)</p> <p><i>one</i> The Message Handler stored a new message into this object when NewDat was still set, the CPU has lost a message.</p> <p><i>zero</i> No message lost since last time this bit was reset by the CPU.</p>
RxIE	<p>Receive Interrupt Enable</p> <p><i>one</i> IntPnd will be set after a successful reception of a frame.</p> <p><i>zero</i> IntPnd will be left unchanged after a successful reception of a frame.</p>
TxIE	<p>Transmit Interrupt Enable</p> <p><i>one</i> IntPnd will be set after a successful transmission of a frame.</p> <p><i>zero</i> IntPnd will be left unchanged after the successful transmission of a frame.</p>
IntPnd	<p>Interrupt Pending</p> <p><i>one</i> This message object is the source of an interrupt. The Interrupt Identifier in the Interrupt Register will point to this message object if there is no other interrupt source with higher priority.</p> <p><i>zero</i> This message object is not the source of an interrupt.</p>

- RmtEn** Remote Enable
one At the reception of a Remote Frame, **TxRqst** is set.
zero At the reception of a Remote Frame, **TxRqst** is left unchanged.
- TxRqst** Transmit Request
one The transmission of this Message Object is requested and is not yet done.
zero This Message Object is not waiting for transmission.
- DLC3-0** Data Length Code
0-8 Data Frame has 0-8 data bytes.
9-15 Data Frame has 8 data bytes

Note : The Data Length Code of a Message Object must be defined the same as in all the corresponding objects with the same identifier at other nodes. When the Message Handler stores a data frame, it will write the DLC to the value given by the received message.

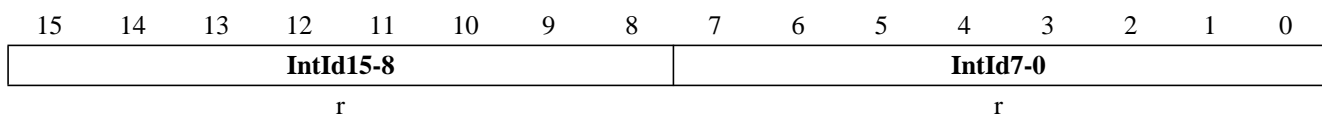
- Data 0** 1st data byte of a CAN Data Frame
Data 1 2nd data byte of a CAN Data Frame
Data 2 3rd data byte of a CAN Data Frame
Data 3 4th data byte of a CAN Data Frame
Data 4 5th data byte of a CAN Data Frame
Data 5 6th data byte of a CAN Data Frame
Data 6 7th data byte of a CAN Data Frame
Data 7 8th data byte of a CAN Data Frame

Note : Byte **Data 0** is the first data byte shifted into the shift register of the CAN Core during a reception, byte **Data 7** is the last. When the Message Handler stores a Data Frame, it will write all the eight data bytes into a Message Object. If the Data Length Code is less than 8, the remaining bytes of the Message Object will be overwritten by **non specified values**.

3.4 Message Handler Registers

All Message Handler registers are read-only. Their contents (**TxRqst**, **NewDat**, **IntPnd**, and **MsgVal** bits of each Message Object and the Interrupt Identifier) is status information provided by the Message Handler FSM.

3.4.1 Interrupt Register (addresses 0x09 & 0x08)



- IntId15-0** Interrupt Identifier (the number here indicates the source of the interrupt)
 0x0000 No interrupt is pending.
 0x0001-0x0020 Number of Message Object which caused the interrupt.
 0x0021-0x7FFF unused.
 0x8000 Status Interrupt.
 0x8001-0xFFFF unused

If several interrupts are pending, the CAN Interrupt Register will point to the pending interrupt with the highest priority, disregarding their chronological order. An interrupt remains pending until the CPU has cleared it. If **IntId** is different from 0x0000 and **IE** is set, the interrupt line to

the CPU, **IRQ_B**, is active. The interrupt line remains active until **IntId** is back to value 0x0000 (the cause of the interrupt is reset) or until **IE** is reset.

The Status Interrupt has the highest priority. Among the message interrupts, the Message Object's interrupt priority decreases with increasing message number.

A message interrupt is cleared by clearing the Message Object's **IntPnd** bit. The Status Interrupt is cleared by reading the Status Register.

3.4.2 Transmission Request Registers

Transmission Request 1 Register (addresses 0x81 & 0x80)	15	14	13	12	11	10	9	8	7	6	5	4	3	2	1	0
	TxRqst16-9								TxRqst8-1							
Transmission Request 2 Register (addresses 0x83 & 0x82)	TxRqst32-25								TxRqst24-17							
	r								r							

TxRqst32-1 Transmission Request Bits (of all Message Objects)

- one* The transmission of this Message Object is requested and is not yet done.
- zero* This Message Object is not waiting for transmission.

These registers hold the **TxRqst** bits of the 32 Message Objects. By reading out the **TxRqst** bits, the CPU can check for which Message Object a Transmission Request is pending. The **TxRqst** bit of a specific Message Object can be set/reset by the CPU via the IFx Message Interface Registers or by the Message Handler after reception of a Remote Frame or after a successful transmission.

3.4.3 New Data Registers

New Data 1 Register (addresses 0x91 & 0x90)	15	14	13	12	11	10	9	8	7	6	5	4	3	2	1	0
	NewDat16-9								NewDat8-1							
New Data 2 Register (addresses 0x93 & 0x92)	NewDat32-25								NewDat24-17							
	r								r							

NewDat32-1 New Data Bits (of all Message Objects)

- one* The Message Handler or the CPU has written new data into the data portion of this Message Object.
- zero* No new data has been written into the data portion of this Message Object by the Message Handler since last time this flag was cleared by the CPU.

MsgLst These registers hold the **NewDat** bits of the 32 Message Objects. By reading out the **NewDat** bits, the CPU can check for which Message Object the data portion was updated. The **NewDat** bit of a specific Message Object can be set/reset by the CPU via the IFx Message Interface Registers or by the Message Handler after reception of a Data Frame or after a successful transmission.

3.4.4 Interrupt Pending Registers

Interrupt Pending 1 Register (addresses 0xA1 & 0xA0)	15 14 13 12 11 10 9 8 7 6 5 4 3 2 1 0
	IntPnd16-9 IntPnd8-1
Interrupt Pending 2 Register (addresses 0xA3 & 0xA2)	IntPnd32-25 IntPnd24-17
	r r

IntPnd32-1 Interrupt Pending Bits (of all Message Objects)

one This message object is the source of an interrupt.

zero This message object is not the source of an interrupt.

These registers hold the **IntPnd** bits of the 32 Message Objects. By reading out the **IntPnd** bits, the CPU can check for which Message Object an interrupt is pending. The **IntPnd** bit of a specific Message Object can be set/reset by the CPU via the IFx Message Interface Registers or by the Message Handler after reception or after a successful transmission of a frame. This will also affect the value of **IntId** in the Interrupt Register.

3.4.5 Message Valid 1 Register

Message Valid 1 Register (addresses 0xB1 & 0xB0)	15 14 13 12 11 10 9 8 7 6 5 4 3 2 1 0
	MsgVal16-9 MsgVal8-1
Message Valid 2 Register (addresses 0xB3 & 0xB2)	MsgVal32-25 MsgVal24-17
	r r

MsgVal32-1 Message Valid Bits (of all Message Objects)

one This Message Object is configured and should be considered by the Message Handler.

zero This Message Object is ignored by the Message Handler.

These registers hold the **MsgVal** bits of the 32 Message Objects. By reading out the **MsgVal** bits, the CPU can check which Message Object is valid. The **MsgVal** bit of a specific Message Object can be set/reset by the CPU via the IFx Message Interface Registers.

4. CAN Application

4.1 Management of Message Objects

The configuration of the Message Objects in the Message RAM will (with the exception of the bits **MsgVal**, **NewDat**, **IntPnd**, and **TxRqst**) not be affected by resetting the chip. All the Message Objects must be initialized by the CPU or they must be not valid (**MsgVal** = '0') and the bit timing must be configured before the CPU clears the **Init** bit in the CAN Control Register.

The configuration of a Message Object is done by programming Mask, Arbitration, Control and Data field of one of the two interface register sets to the desired values. By writing to the corresponding IFx Command Request Register, the IFx Message Buffer Registers are loaded into the addressed Message Object in the Message RAM.

When the **Init** bit in the CAN Control Register is cleared, the CAN Protocol Controller state machine of the CAN_Core and the Message Handler State Machine control the C_CAN's internal data flow. Received messages that pass the acceptance filtering are stored into the Message RAM, messages with pending transmission request are loaded into the CAN_Core's Shift Register and are transmitted via the CAN bus.

The CPU reads received messages and updates messages to be transmitted via the IFx Interface Registers. Depending on the configuration, the CPU is interrupted on certain CAN message and CAN error events.

4.2 Message Handler State Machine

The Message Handler controls the data transfer between the Rx/Tx Shift Register of the CAN Core, the Message RAM and the IFx Registers.

The Message Handler FSM controls the following functions:

- Data Transfer from IFx Registers to the Message RAM
- Data Transfer from Message RAM to the IFx Registers
- Data Transfer from Shift Register to the Message RAM
- Data Transfer from Message RAM to Shift Register
- Data Transfer from Shift Register to the Acceptance Filtering unit
- Scanning of Message RAM for a matching Message Object
- Handling of **TxRqst** flags.
- Handling of interrupts.

4.2.1 Data Transfer from / to Message RAM

When the CPU initiates a data transfer between the IFx Registers and Message RAM, the Message Handler sets the **Busy** bit in the respective Command Register to '1'. After the transfer has completed, the **Busy** bit is set back to '0' (see figure 8).

The respective Command Mask Register specifies whether a complete Message Object or only parts of it will be transferred. Due to the structure of the Message RAM it is not possible to write single bits/bytes of one Message Object, it is always necessary to write a complete Message Object into the Message RAM. Therefore the data transfer from the IFx Registers to the Message RAM requires of a read-modify-write cycle. First that parts of the Message

Object that are not to be changes are read from the Message RAM and then the complete contents of the Message Buffer Registers are into the Message Object.

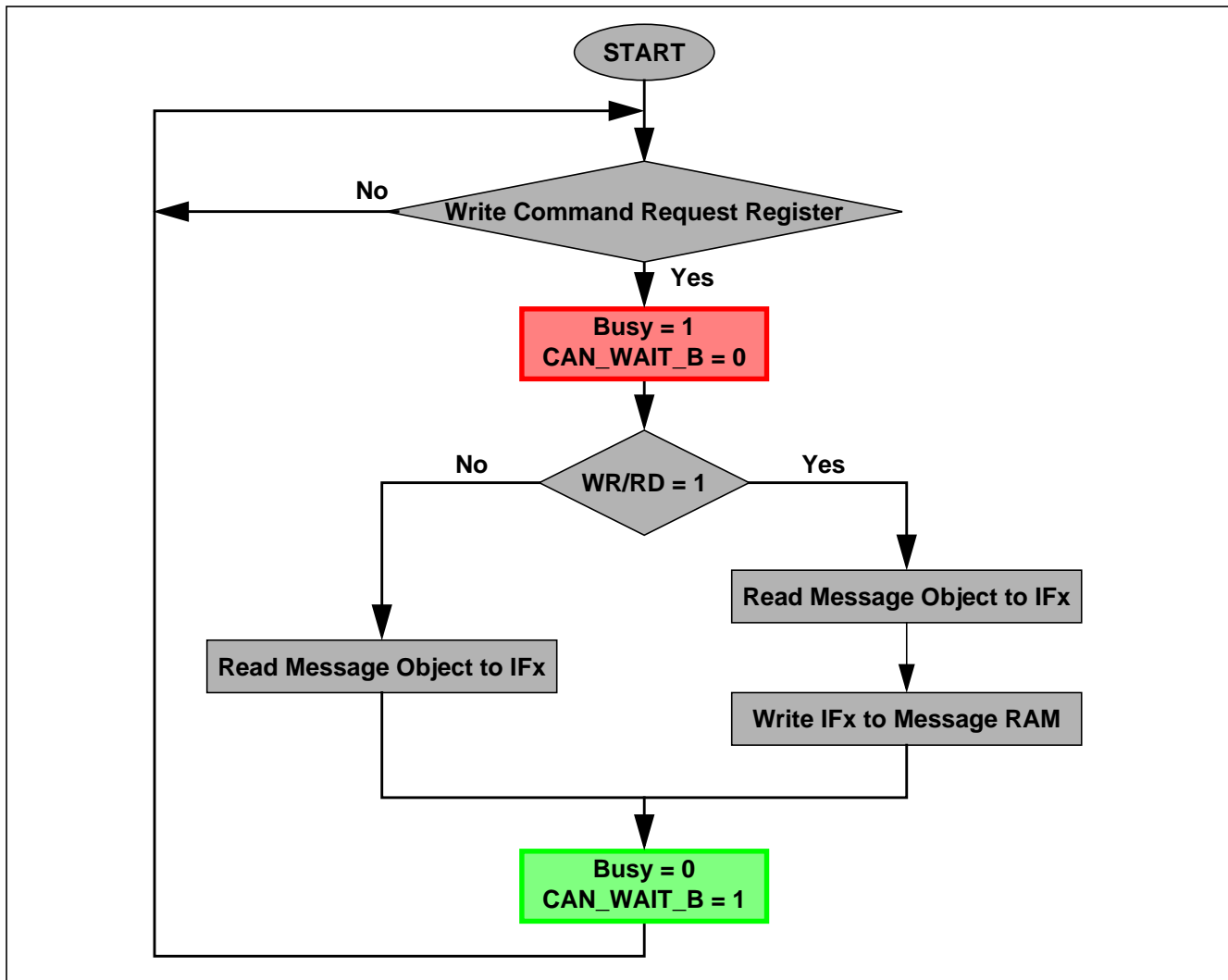


Figure 8: Data Transfer between IFx Registers and Message RAM

After the partial write of a Message Object, that Message Buffer Registers that are not selected in the Command Mask Register will set to the actual contents of the selected Message Object.

After the partial read of a Message Object, that Message Buffer Registers that are not selected in the Command Mask Register will be left unchanged.

4.2.2 Transmission of Messages

If the shift register of the CAN Core cell is ready for loading and if there is no data transfer between the IFx Registers and Message RAM, the **MsgVal** bits in the Message Valid Register **TxRqst** bits in the Transmission Request Register are evaluated. The valid Message Object with the highest priority pending transmission request is loaded into the shift register by the Message Handler and the transmission is started. The Message Object's **NewDat** bit is reset.

After a successful transmission and if no new data was written to the Message Object (**NewDat** = '0') since the start of the transmission, the **TxRqst** bit will be reset. If **TxIE** is set, **IntPnd** will be set after a successful transmission. If the C_CAN has lost the arbitration or if an error occurred during the transmission, the message will be retransmitted as soon as the CAN

bus is free again. If meanwhile the transmission of a message with higher priority has been requested, the messages will be transmitted in the order of their priority.

4.2.3 Acceptance Filtering of Received Messages

When the arbitration and control field (Identifier + IDE + RTR + DLC) of an incoming message is completely shifted into the Rx/Tx Shift Register of the CAN Core, the Message Handler FSM starts the scanning of the Message RAM for a matching valid Message Object.

To scan the Message RAM for a matching Message Object, the Acceptance Filtering unit is loaded with the arbitration bits from the CAN Core shift register. Then the arbitration and mask fields (including **MsgVal**, **UMask**, **NewDat**, and **EoB**) of Message Object 1 are loaded into the Acceptance Filtering unit and compared with the arbitration field from the shift register. This is repeated with each following Message Object until a matching Message Object is found or until the end of the Message RAM is reached.

If a match occurs, the scanning is stopped and the Message Handler FSM proceeds depending on the type of frame (Data Frame or Remote Frame) received.

4.2.3.1 Reception of Data Frame

The Message Handler FSM stores the message from the CAN Core shift register into the respective Message Object in the Message RAM. Not only the data bytes, but all arbitration bits and the Data Length Code are stored into the corresponding Message Object. This is implemented to keep the data bytes connected with the identifier even if arbitration mask registers are used.

The **NewDat** bit is set to indicate that new data (not yet seen by the CPU) has been received. The CPU should reset **NewDat** when it reads the Message Object. If at the time of the reception the **NewDat** bit was already set, **MsgLst** is set to indicate that the previous data (supposedly not seen by the CPU) is lost. If the **RxIE** bit is set, the **IntPnd** bit is set, causing the Interrupt Register to point to this Message Object.

The **TxRqst** bit of this Message Object is reset to prevent the transmission of a Remote Frame, while the requested Data Frame has just been received.

4.2.3.2 Reception of Remote Frame

When a Remote Frame is received, three different configurations of the matching Message Object have to be considered:

1) **Dir** = '1' (direction = *transmit*), **RmtEn** = '1', **UMask** = '1' or '0'

At the reception of a matching Remote Frame, the **TxRqst** bit of this Message Object is set. The rest of the Message Object remains unchanged.

2) **Dir** = '1' (direction = *transmit*), **RmtEn** = '0', **UMask** = '0'

At the reception of a matching Remote Frame, the **TxRqst** bit of this Message Object remains unchanged; the Remote Frame is ignored.

3) **Dir** = '1' (direction = *transmit*), **RmtEn** = '0', **UMask** = '1'

At the reception of a matching Remote Frame, the **TxRqst** bit of this Message Object is reset. The arbitration and control field (Identifier + IDE + RTR + DLC) from the shift register is stored into the Message Object in the Message RAM and the **NewDat** bit of this Message Object is set. The data field of the Message Object remains unchanged; the Remote Frame is treated similar to a received Data Frame.

4.2.4 Receive / Transmit Priority

The receive/transmit priority for the Message Objects is attached to the message number. Message Object 1 has the highest priority, while Message Object 32 has the lowest priority. If more than one transmission request is pending, they are serviced due to the priority of the corresponding Message Object.

4.3 Configuration of a Transmit Object

Figure 9 shows how a Transmit Object should be initialised.

MsgVal	Arb	Data	Mask	EoB	Dir	NewDat	MsgLst	RxIE	TxIE	IntPnd	RmtEn	TxRqst
1	appl.	appl.	appl.	1	1	0	0	0	appl.	0	appl.	0

Figure 9: Initialisation of a Transmit Object

The Arbitration Registers (**ID28-0** and **Xtd** bit) are given by the application. They define the identifier and type of the outgoing message. If an 11-bit Identifier ("Standard Frame") is used, it is programmed to **ID28 - ID18**, **ID17 - ID0** can then be disregarded.

If the **TxIE** bit is set, the **IntPnd** bit will be set after a successful transmission of the Message Object.

If the **RmtEn** bit is set, a matching received Remote Frame will cause the **TxRqst** bit to be set; the Remote Frame will autonomously be answered by a Data Frame.

The Data Registers (**DLC3-0**, **Data0-7**) are given by the application, **TxRqst** and **RmtEn** may not be set before the data is valid.

The Mask Registers (**Msk28-0**, **UMask**, **MXtd**, and **MDir** bits) may be used (**UMask='1'**) to allow groups of Remote Frames with similar identifiers to set the **TxRqst** bit. For details see section 4.2.3.2, handle with care. The **Dir** bit should not be masked.

4.4 Updating a Transmit Object

The CPU may update the data bytes of a Transmit Object any time via the IFx Interface registers, neither **MsgVal** nor **TxRqst** have to be reset before the update.

Even if only a part of the data bytes are to be updated, all four bytes of the corresponding IFx Data A Register or IFx Data B Register have to be valid before the content of that register is transferred to the Message Object. Either the CPU has to write all four bytes into the IFx Data Register or the Message Object is transferred to the IFx Data Register before the CPU writes the new data bytes.

When only the (eight) data bytes are updated, first 0x0087 is written to the Command Mask Register and then the number of the Message Object is written to the Command Request Register, concurrently updating the data bytes and setting **TxRqst**.

To prevent the reset of **TxRqst** at the end of a transmission that may already be in progress while the data is updated, **NewDat** has to be set together with **TxRqst**. For details see section 4.2.2.

When **NewDat** is set together with **TxRqst**, **NewDat** will be reset as soon as the new transmission has started.

4.5 Configuration of a Receive Object

Figure 9 shows how a Receive Object should be initialised.

MsgVal	Arb	Data	Mask	EoB	Dir	NewDat	MsgLst	RxIE	TxIE	IntPnd	RmtEn	TxRqst
1	appl.	appl.	appl.	1	0	0	0	appl.	0	0	0	0

Figure 10: Initialisation of a Receive Object

The Arbitration Registers (**ID28-0** and **Xtd** bit) are given by the application. They define the identifier and type of accepted received messages. If an 11-bit Identifier ("Standard Frame") is used, it is programmed to **ID28 - ID18**, **ID17 - ID0** can then be disregarded. When a Data Frame with an 11-bit Identifier is received, **ID17 - ID0** will be set to '0'.

If the **RxIE** bit is set, the **IntPnd** bit will be set when a received Data Frame is accepted and stored in the Message Object.

The Data Length Code (**DLC3-0**) is given by the application. When the Message Handler stores a Data Frame in the Message Object, it will store the received Data Length Code and eight data bytes. If the Data Length Code is less than 8, the remaining bytes of the Message Object will be overwritten by **non specified values**.

The Mask Registers (**Msk28-0**, **UMask**, **MXtd**, and **MDir** bits) may be used (**UMask='1'**) to allow groups of Data Frames with similar identifiers to be accepted. For details see section 4.2.3.1. The **Dir** bit should not be masked in typical applications.

4.6 Handling of Received Messages

The CPU may read a received message any time via the IFx Interface registers, the data consistency is guaranteed by the Message Handler state machine.

Typically the CPU will write first 0x007F to the Command Mask Register and then the number of the Message Object to the Command Request Register. That combination will transfer the whole received message from the Message RAM into the Message Buffer Register. Additionally, the bits **NewDat** and **IntPnd** are cleared in the Message RAM (not in the Message Buffer).

If the Message Object uses masks for acceptance filtering, the arbitration bits show which of the matching messages has been received.

The actual value of **NewDat** shows whether a new message has been received since last time this Message Object was read. The actual value of **MsgLst** shows whether more than one message has been received since last time this Message Object was read. **MsgLst** will not be automatically reset.

By means of a Remote Frame, the CPU may request another CAN node to provide new data for a receive object. Setting the **TxRqst** bit of a receive object will cause the transmission of a Remote Frame with the receive object's identifier. This Remote Frame triggers the other CAN node to start the transmission of the matching Data Frame. If the matching Data Frame is received before the Remote Frame could be transmitted, the **TxRqst** bit is automatically reset.

4.7 Configuration of a FIFO Buffer

With the exception of the **EoB** bit, the configuration of Receive Objects belonging to a FIFO Buffer is the same as the configuration of a (single) Receive Object, see section 4.5.

To concatenate two or more Message Objects into a FIFO Buffer, the identifiers and masks (if used) of these Message Objects have to be programmed to matching values. Due to the implicit priority of the Message Objects, the Message Object with the lowest number will be the first Message Object of the FIFO Buffer. The **EoB** bit of all Message Objects of a FIFO Buffer except the last have to be programmed to *zero*. The **EoB** bits of the last Message Object of a FIFO Buffer is set to *one*, configuring it as the **End of the Block**.

4.8 Reception of Messages with FIFO Buffers

Received messages with identifiers matching to a FIFO Buffer are stored into a Message Object of this FIFO Buffer starting with the Message Object with the lowest message number.

When a message is stored into a Message Object of a FIFO Buffer the **NewDat** bit of this Message Object is set. By setting **NewDat** while **EoB** is *zero* the Message Object is locked for further write accesses by the Message Handler until the CPU has written the **NewDat** bit back to *zero*.

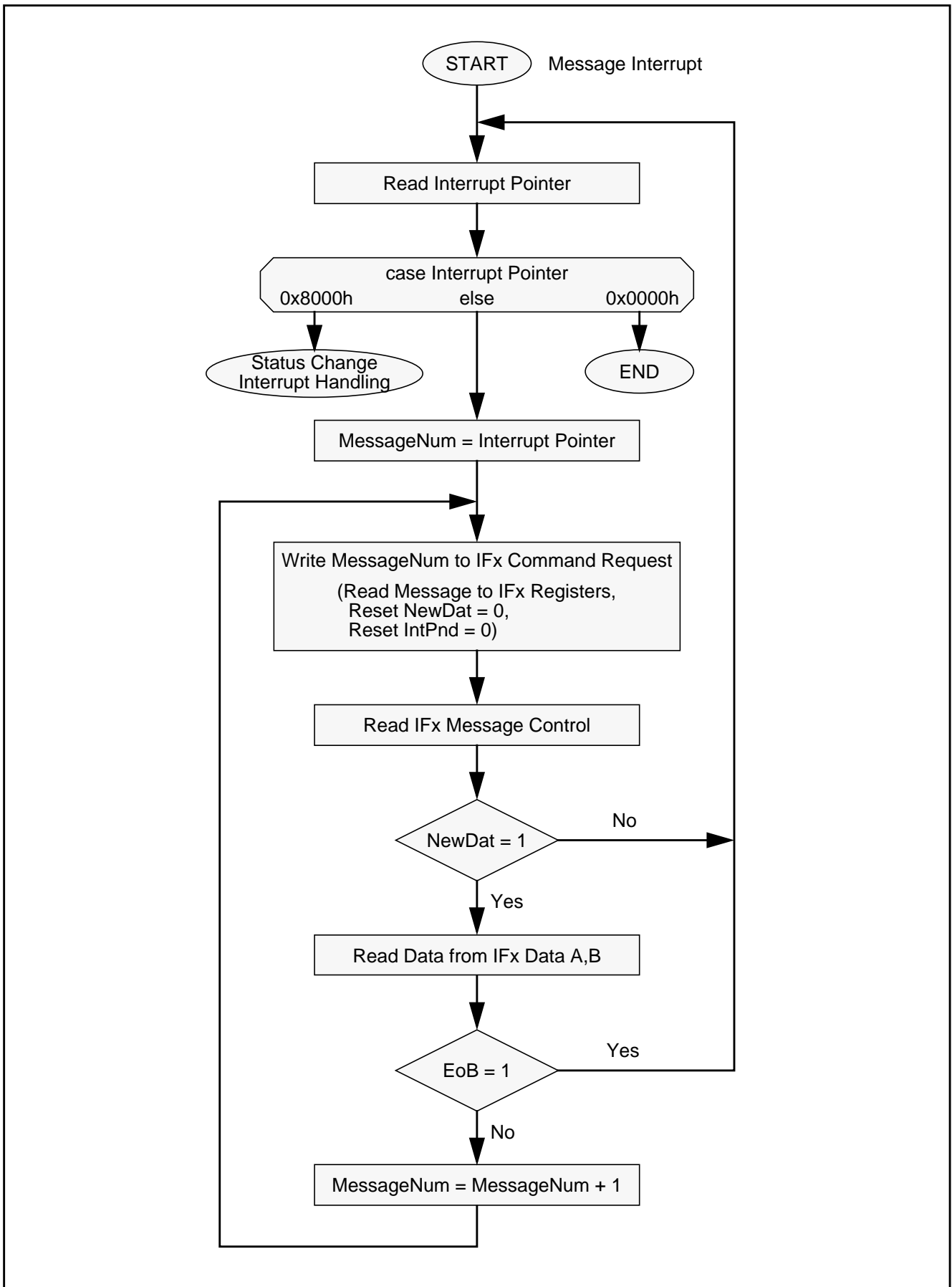
Messages are stored into a FIFO Buffer until the last Message Object of this FIFO Buffer is reached. If none of the preceding Message Objects is released by writing **NewDat** to *zero*, all further messages for this FIFO Buffer will be written into the last Message Object of the FIFO Buffer and therefore overwrite previous messages.

4.8.1 Reading from a FIFO Buffer

When the CPU transfers the contents of Message Object to the IFx Message Bigger registers by writing its number to the IFx Command Request Register, the corresponding Command Mask Register should be programmed the way that bits **NewDat** and **IntPnd** are reset to *zero* (**TxRqst/NewDat** = '1' and **ClrIntPnd** = '1'). The values of these bits in the Message Control Register always reflect the status before resetting the bits.

To assure the correct function of a FIFO Buffer, the CPU should read out the Message Objects starting at the FIFO Object with the lowest message number.

Figure 11 shows how a set of Message Objects which are concatenated to a FIFO Buffer can be handled by the CPU.



manual_can_application.fm

Figure 11: CPU Handling of a FIFO Buffer

4.9 Handling of Interrupts

If several interrupts are pending, the CAN Interrupt Register will point to the pending interrupt with the highest priority, disregarding their chronological order. An interrupt remains pending until the CPU has cleared it.

The Status Interrupt has the highest priority. Among the message interrupts, the Message Object's interrupt priority decreases with increasing message number.

A message interrupt is cleared by clearing the Message Object's **IntPnd** bit. The Status Interrupt is cleared by reading the Status Register.

The interrupt identifier **IntId** in the Interrupt Register indicates the cause of the interrupt. When no interrupt is pending, the register will hold the value *zero*. If the value of the Interrupt Register is different from *zero*, then there is an interrupt pending and, if **IE** is set, the interrupt line to the CPU, **IRQ_B**, is active. The interrupt line remains active until the Interrupt Register is back to value *zero* (the cause of the interrupt is reset) or until **IE** is reset.

The value 0x8000 indicates that an interrupt is pending because the CAN Core has updated (not necessarily changed) the Status Register (Error Interrupt or Status Interrupt). This interrupt has the highest priority. The CPU can update (reset) the status bits **RxOk**, **TxOk** and **LEC**, but a write access of the CPU to the Status Register can never generate or reset an interrupt.

All other values indicate that the source of the interrupt is one of the Message Objects, **IntId** points to the pending message interrupt with the highest interrupt priority.

The CPU controls whether a change of the Status Register may cause an interrupt (bits **EIE** and **SIE** in the CAN Control Register) and whether the interrupt line becomes active when the Interrupt Register is different from *zero* (bit **IE** in the CAN Control Register). The Interrupt Register will be updated even when **IE** is reset.

The CPU has two possibilities to follow the source of a message interrupt. First it can follow the **IntId** in the Interrupt Register and second it can poll the Interrupt Pending Register (see section 3.4.4).

An interrupt service routine reading the message that is the source of the interrupt may read the message and reset the Message Object's **IntPnd** at the same time (bit **ClrIntPnd** in the Command Mask Register). When **IntPnd** is cleared, the Interrupt Register will point to the next Message Object with a pending interrupt.

4.10 Configuration of the Bit Timing

Even if minor errors in the configuration of the CAN bit timing do not result in immediate failure, the performance of a CAN network can be reduced significantly.

In many cases, the CAN bit synchronisation will amend a faulty configuration of the CAN bit timing to such a degree that only occasionally an error frame is generated. In the case of arbitration however, when two or more CAN nodes simultaneously try to transmit a frame, a misplaced sample point may cause one of the transmitters to become error passive.

The analysis of such sporadic errors requires a detailed knowledge of the CAN bit synchronisation inside a CAN node and of the CAN nodes' interaction on the CAN bus.

4.10.1 Bit Time and Bit Rate

CAN supports bit rates in the range of lower than 1 kBit/s up to 1000 kBit/s. Each member of the CAN network has its own clock generator, usually a quartz oscillator. The timing parameter of the bit time (i.e. the reciprocal of the bit rate) can be configured individually for each CAN node, creating a common bit rate even though the CAN nodes' oscillator periods (f_{osc}) may be different.

The frequencies of these oscillators are not absolutely stable, small variations are caused by changes in temperature or voltage and by deteriorating components. As long as the variations remain inside a specific oscillator tolerance range (df), the CAN nodes are able to compensate for the different bit rates by resynchronising to the bit stream.

According to the CAN specification, the bit time is divided into four segments (see figure 12). The Synchronisation Segment, the Propagation Time Segment, the Phase Buffer Segment 1, and the Phase Buffer Segment 2. Each segment consists of a specific, programmable number of time quanta (see Table 1). The length of the time quantum (t_q), which is the basic time unit of the bit time, is defined by the CAN controller's system clock f_{sys} and the Baud Rate Prescaler (BRP) : $t_q = BRP / f_{sys}$. The C_CAN's system clock f_{sys} is the frequency of its **CAN_CLK** input.

The Synchronisation Segment Sync_Seg is that part of the bit time where edges of the CAN bus level are expected to occur; the distance between an edge that occurs outside of Sync_Seg and the Sync_Seg is called the phase error of that edge. The Propagation Time Segment Prop_Seg is intended to compensate for the physical delay times within the CAN network. The Phase Buffer Segments Phase_Seg1 and Phase_Seg2 surround the Sample Point. The (Re-)Synchronisation Jump Width (SJW) defines how far a resynchronisation may move the Sample Point inside the limits defined by the Phase Buffer Segments to compensate for edge phase errors.

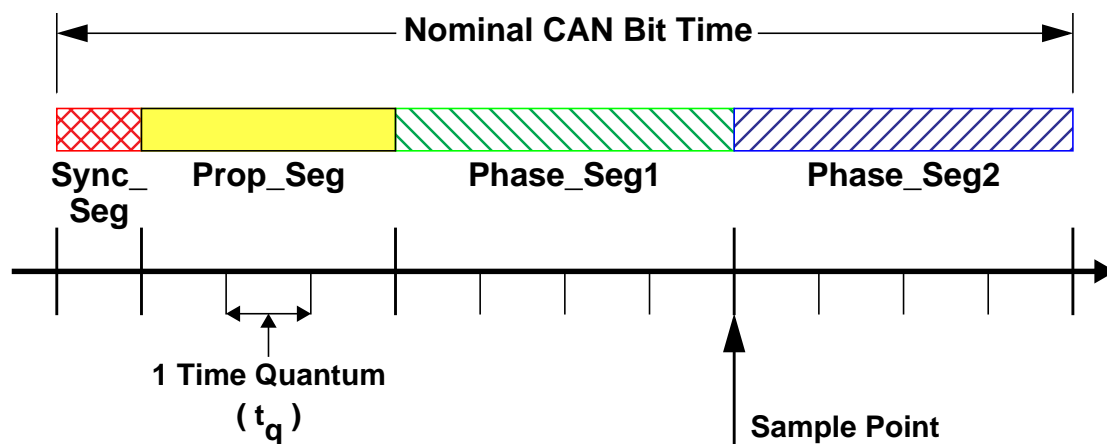


Figure 12: Bit Timing

Parameter	Range	Remark
BRP	[1 .. 32]	defines the length of the time quantum t_q
Sync_Seg	1 t_q	fixed length, synchronisation of bus input to system clock
Prop_Seg	[1 .. 8] t_q	compensates for the physical delay times
Phase_Seg1	[1 .. 8] t_q	may be lengthened temporarily by synchronisation
Phase_Seg2	[1 .. 8] t_q	may be shortened temporarily by synchronisation
SJW	[1 .. 4] t_q	may not be longer than either Phase Buffer Segment

This table describes the minimum programmable ranges required by the CAN protocol

Table 1 : Parameters of the CAN Bit Time

A given bit rate may be met by different bit time configurations, but for the proper function of the CAN network the physical delay times and the oscillator's tolerance range have to be considered.

4.10.2 Propagation Time Segment

This part of the bit time is used to compensate physical delay times within the network. These delay times consist of the signal propagation time on the bus and the internal delay time of the CAN nodes.

Any CAN node synchronised to the bit stream on the CAN bus will be out of phase with the transmitter of that bit stream, caused by the signal propagation time between the two nodes. The CAN protocol's non-destructive bitwise arbitration and the dominant acknowledge bit provided by receivers of CAN messages require that a CAN node transmitting a bit stream must also be able to receive dominant bits transmitted by other CAN nodes that are synchronised to that bit stream. The example in figure 13 shows the phase shift and propagation times between two CAN nodes.

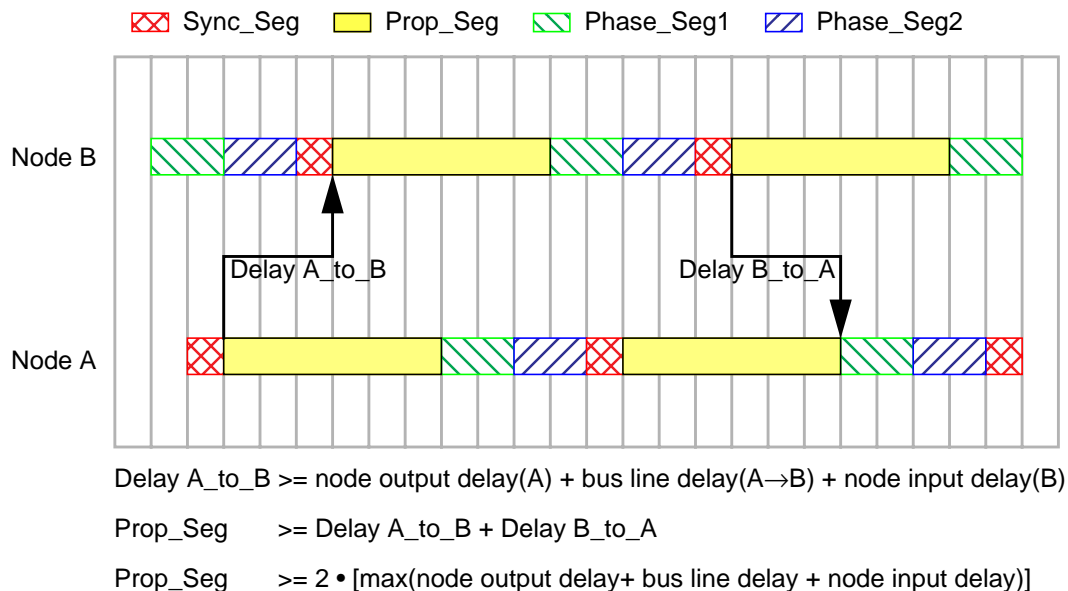


Figure 13: The Propagation Time Segment

In this example, both nodes A and B are transmitters performing an arbitration for the CAN bus. The node A has sent its Start of Frame bit less than one bit time earlier than node B, therefore node B has synchronised itself to the received edge from recessive to dominant. Since node B has received this edge delay(A_to_B) after it has been transmitted, B's bit timing segments are shifted with regard to A. Node B sends an identifier with higher priority and so it will win the arbitration at a specific identifier bit when it transmits a dominant bit while node A transmits a recessive bit. The dominant bit transmitted by node B will arrive at node A after the delay(B_to_A).

Due to oscillator tolerances, the actual position of node A's Sample Point can be anywhere inside the nominal range of node A's Phase Buffer Segments, so the bit transmitted by node B must arrive at node A before the start of Phase_Seg1. This condition defines the length of Prop_Seg.

If the edge from recessive to dominant transmitted by node B would arrive at node A after the start of Phase_Seg1, it could happen that node A samples a recessive bit instead of a dominant bit, resulting in a bit error and the destruction of the current frame by an error flag.

The error occurs only when two nodes arbitrate for the CAN bus that have oscillators of opposite ends of the tolerance range and that are separated by a long bus line; this is an example of a minor error in the bit timing configuration (Prop_Seg too short) that causes sporadic bus errors.

Some CAN implementations provide an optional 3 Sample Mode. The C_CAN does not. In this mode, the CAN bus input signal passes a digital low-pass filter, using three samples and a majority logic to determine the valid bit value. This results in an additional input delay of $1 t_q$, requiring a longer Prop_Seg.

4.10.3 Phase Buffer Segments and Synchronisation

The Phase Buffer Segments (Phase_Seg1 and Phase_Seg2) and the Synchronisation Jump Width (SJW) are used to compensate for the oscillator tolerance. The Phase Buffer Segments may be lengthened or shortened by synchronisation.

Synchronisations occur on edges from recessive to dominant, their purpose is to control the distance between edges and Sample Points.

Edges are detected by sampling the actual bus level in each time quantum and comparing it with the bus level at the previous Sample Point. A synchronisation may be done only if a recessive bit was sampled at the previous Sample Point and if the actual time quantum's bus level is dominant.

An edge is synchronous if it occurs inside of Sync_Seg, otherwise the distance between edge and the end of Sync_Seg is the edge phase error, measured in time quanta. If the edge occurs before Sync_Seg, the phase error is negative, else it is positive.

Two types of synchronisation exist : Hard Synchronisation and Resynchronisation. A Hard Synchronisation is done once at the start of a frame; inside a frame only Resynchronisations occur.

- Hard Synchronisation

After a hard synchronisation, the bit time is restarted with the end of Sync_Seg, regardless of the edge phase error. Thus hard synchronisation forces the edge which has caused the hard synchronisation to lie within the synchronisation segment of the restarted bit time.

- Bit Resynchronisation

Resynchronisation leads to a shortening or lengthening of the bit time such that the position of the sample point is shifted with regard to the edge.

When the phase error of the edge which causes Resynchronisation is positive, Phase_Seg1 is lengthened. If the magnitude of the phase error is less than SJW, Phase_Seg1 is lengthened by the magnitude of the phase error, else it is lengthened by SJW.

When the phase error of the edge which causes Resynchronisation is negative, Phase_Seg2 is shortened. If the magnitude of the phase error is less than SJW, Phase_Seg2 is shortened by the magnitude of the phase error, else it is shortened by SJW.

When the magnitude of the phase error of the edge is less than or equal to the programmed value of SJW, the results of Hard Synchronisation and Resynchronisation are the same. If the magnitude of the phase error is larger than SJW, the Resynchronisation cannot compensate the phase error completely, an error of (phase error - SJW) remains.

Only one synchronisation may be done between two Sample Points. The Synchronisations maintain a minimum distance between edges and Sample Points, giving the bus level time to stabilize and filtering out spikes that are shorter than (Prop_Seg + Phase_Seg1).

Apart from noise spikes, most synchronisations are caused by arbitration. All nodes synchronise “hard” on the edge transmitted by the “leading” transceiver that started transmitting first, but due to propagation delay times, they cannot become ideally synchronised. The “leading” transmitter does not necessarily win the arbitration, therefore the receivers have to synchronise themselves to different transmitters that subsequently “take the lead” and that are differently synchronised to the previously “leading” transmitter. The same happens at the acknowledge field, where the transmitter and some of the receivers will have to synchronise to that receiver that “takes the lead” in the transmission of the dominant acknowledge bit.

Synchronisations after the end of the arbitration will be caused by oscillator tolerance, when the differences in the oscillator’s clock periods of transmitter and receivers sum up during the time between synchronisations (at most ten bits). These summarized differences may not be longer than the SJW, limiting the oscillator’s tolerance range.

The examples in figure 14 show how the Phase Buffer Segments are used to compensate for phase errors. There are three drawings of each two consecutive bit timings. The upper drawing shows the synchronisation on a “late” edge, the lower drawing shows the synchronisation on an “early” edge, and the middle drawing is the reference without synchronisation.

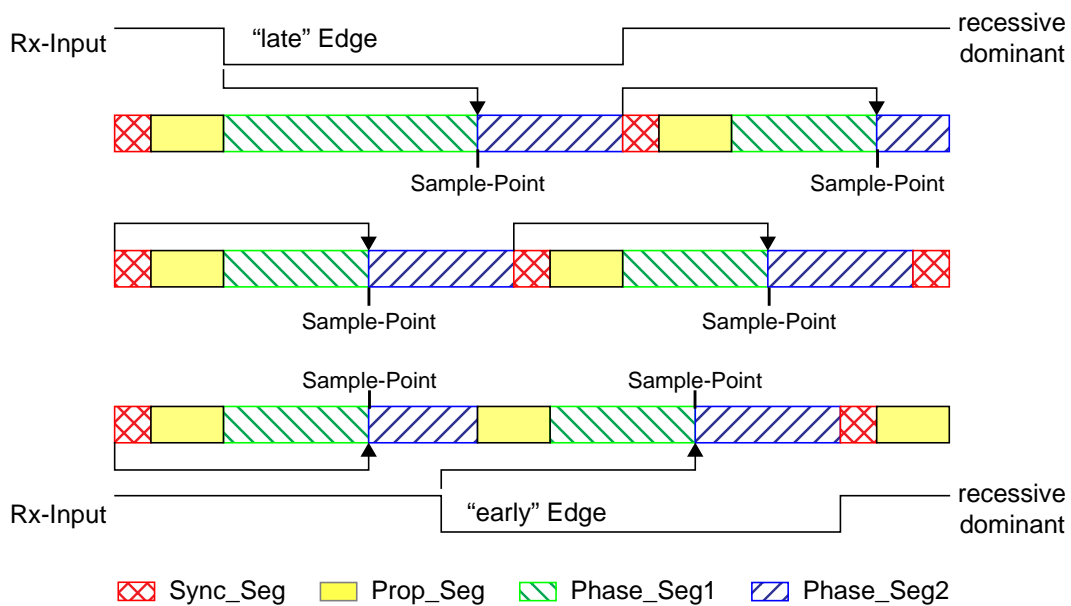


Figure 14: Synchronisation on “late” and “early” Edges

In the first example an edge from recessive to dominant occurs at the end of Prop_Seg. The edge is “late” since it occurs after the Sync_Seg. Reacting to the “late” edge, Phase_Seg1 is lengthened so that the distance from the edge to the Sample Point is the same as it would have been from the Sync_Seg to the Sample Point if no edge had occurred. The phase error of this “late” edge is less than SJW, so it is fully compensated and the edge from dominant to recessive at the end of the bit, which is one nominal bit time long, occurs in the Sync_Seg.

In the second example an edge from recessive to dominant occurs during Phase_Seg2. The edge is “early” since it occurs before a Sync_Seg. Reacting to the “early” edge, Phase_Seg2 is shortened and Sync_Seg is omitted, so that the distance from the edge to the Sample Point is the same as it would have been from an Sync_Seg to the Sample Point if no edge had

manual_can_application.fm

occurred. As in the previous example, the magnitude of this “early” edge’s phase error is less than SJW, so it is fully compensated.

The Phase Buffer Segments are lengthened or shortened temporarily only; at the next bit time, the segments return to their nominal programmed values.

In these examples, the bit timing is seen from the point of view of the CAN implementation’s state machine, where the bit time starts and ends at the Sample Points. The state machine omits Sync_Seg when synchronising on an “early” edge because it cannot subsequently redefine that time quantum of Phase_Seg2 where the edge occurs to be the Sync_Seg.

The examples in figure 15 show how short dominant noise spikes are filtered by synchronisations. In both examples the spike starts at the end of Prop_Seg and has the length of (Prop_Seg + Phase_Seg1).

In the first example, the Synchronisation Jump Width is greater than or equal to the phase error of the spike’s edge from recessive to dominant. Therefore the Sample Point is shifted after the end of the spike; a recessive bus level is sampled.

In the second example, SJW is shorter than the phase error, so the Sample Point cannot be shifted far enough; the dominant spike is sampled as actual bus level.

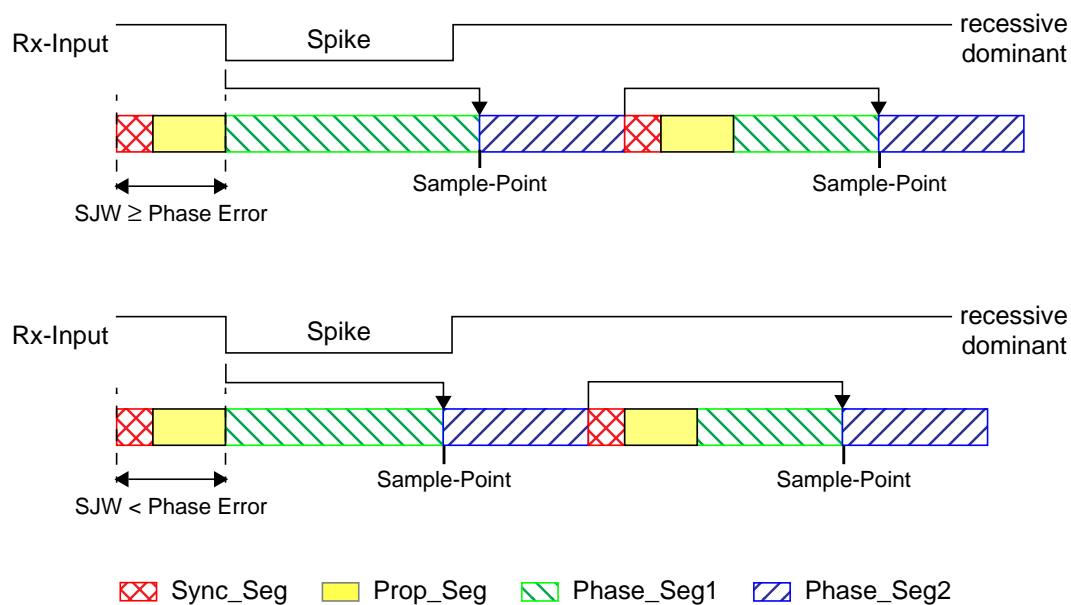


Figure 15: Filtering of Short Dominant Spikes

4.10.4 Oscillator Tolerance Range

The oscillator tolerance range was increased when the CAN protocol was developed from version 1.1 to version 1.2 (version 1.0 was never implemented in silicon). The option to synchronise on edges from dominant to recessive became obsolete, only edges from recessive to dominant are considered for synchronisation. The only CAN controllers to implement protocol version 1.1 have been Intel 82526 and Philips 82C200, both are superseded by successor products. The protocol update to version 2.0 (A and B) had no influence on the oscillator tolerance.

The tolerance range df for an oscillator’s frequency f_{osc} around the nominal frequency f_{nom} with $(1 - df) \cdot f_{nom} \leq f_{osc} \leq (1 + df) \cdot f_{nom}$ depends on the proportions of Phase_Seg1, Phase_Seg2,

SJW, and the bit time. The maximum tolerance df is the defined by two conditions (both shall be met) :

$$I: df \leq \frac{\min(\text{Phase_Seg1}, \text{Phase_Seg2})}{2 \cdot (13 \cdot \text{bit_time} - \text{Phase_Seg2})}$$

$$II: df \leq \frac{\text{SJW}}{20 \cdot \text{bit_time}}$$

It has to be considered that SJW may not be larger than the smaller of the Phase Buffer Segments and that the Propagation Time Segment limits that part of the bit time that may be used for the Phase Buffer Segments.

The combination Prop_Seg = 1 and Phase_Seg1 = Phase_Seg2 = SJW = 4 allows the largest possible oscillator tolerance of 1.58%. This combination with a Propagation Time Segment of only 10% of the bit time is not suitable for short bit times; it can be used for bit rates of up to 125 kBit/s (bit time = 8 μ s) with a bus length of 40 m.

4.10.5 Configuration of the CAN Protocol Controller

In most CAN implementations and also in the C_CAN, the bit timing configuration is programmed in two register bytes. The sum of Prop_Seg and Phase_Seg1 (as TSEG1) is combined with Phase_Seg2 (as TSEG2) in one byte, SJW and BRP are combined in the other byte (see figure 16).

In these bit timing registers, the four components TSEG1, TSEG2, SJW, and BRP have to be programmed to a numerical value that is one less than its functional value; so instead of values in the range of [1..n], values in the range of [0..n-1] are programmed. That way, e.g. SJW (functional range of [1..4]) is represented by only two bits.

Therefore the length of the bit time is (programmed values) [TSEG1 + TSEG2 + 3] t_q or (functional values) [Sync_Seg + Prop_Seg + Phase_Seg1 + Phase_Seg2] t_q .

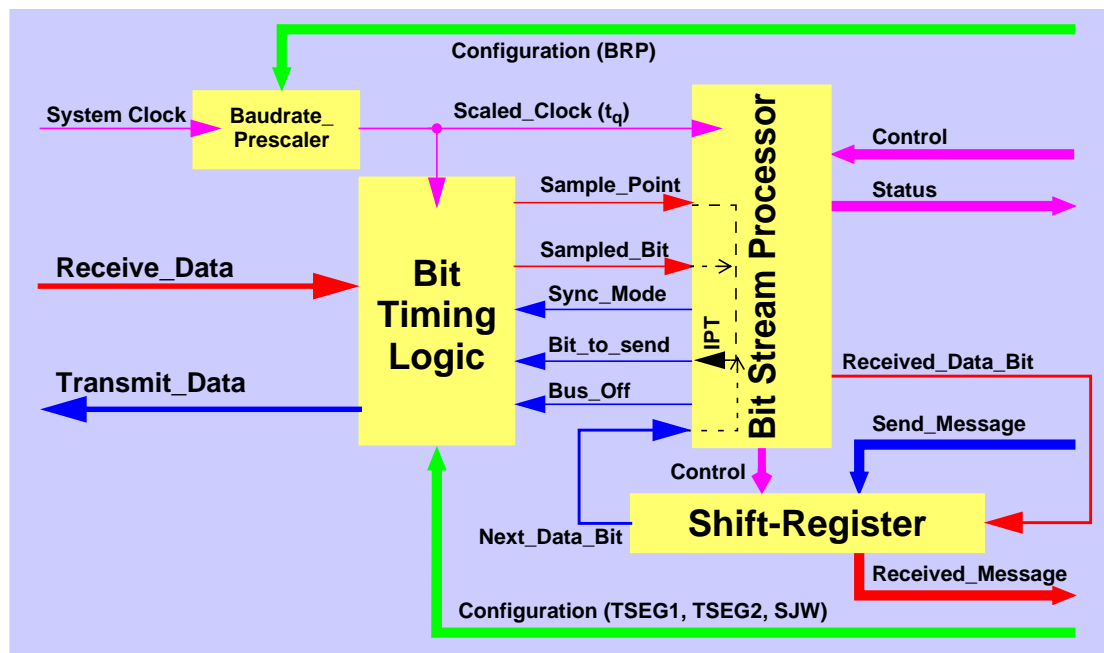


Figure 16: Structure of the CAN Core's CAN Protocol Controller

The data in the bit timing registers are the configuration input of the CAN protocol controller. The Baud Rate Prescaler (configured by BRP) defines the length of the time quantum, the

basic time unit of the bit time; the Bit Timing Logic (configured by TSEG1, TSEG2, and SJW) defines the number of time quanta in the bit time.

The processing of the bit time, the calculation of the position of the Sample Point, and occasional synchronisations are controlled by the BTL state machine, which is evaluated once each time quantum. The rest of the CAN protocol controller, the Bit Stream Processor (BSP) state machine is evaluated once each bit time, at the Sample Point.

The Shift Register serializes the messages to be sent and parallelizes received messages. Its loading and shifting is controlled by the BSP.

The BSP translates messages into frames and vice versa. It generates and discards the enclosing fixed format bits, inserts and extracts stuff bits, calculates and checks the CRC code, performs the error management, and decides which type of synchronisation is to be used. It is evaluated at the Sample Point and processes the sampled bus input bit. The time after the Sample point that is needed to calculate the next bit to be sent (e.g. data bit, CRC bit, stuff bit, error flag, or idle) is called the Information Processing Time (IPT).

The IPT is application specific but may not be longer than $2 t_q$; the C_CAN's IPT is $0 t_q$. Its length is the lower limit of the programmed length of Phase_Seg2. In case of a synchronisation, Phase_Seg2 may be shortened to a value less than IPT, which does not affect bus timing.

4.10.6 Calculation of the Bit Timing Parameters

Usually, the calculation of the bit timing configuration starts with a desired bit rate or bit time. The resulting bit time (1/bit rate) must be an integer multiple of the system clock period.

The bit time may consist of 4 to 25 time quanta, the length of the time quantum t_q is defined by the Baud Rate Prescaler with $t_q = (\text{Baud Rate Prescaler})/f_{\text{sys}}$. Several combinations may lead to the desired bit time, allowing iterations of the following steps.

First part of the bit time to be defined is the Prop_Seg. Its length depends on the delay times measured in the system. A maximum bus length as well as a maximum node delay has to be defined for expandible CAN bus systems. The resulting time for Prop_Seg is converted into time quanta (rounded up to the nearest integer multiple of t_q).

The Sync_Seg is $1 t_q$ long (fixed), leaving $(\text{bit time} - \text{Prop_Seg} - 1) t_q$ for the two Phase Buffer Segments. If the number of remaining t_q is even, the Phase Buffer Segments have the same length, $\text{Phase_Seg2} = \text{Phase_Seg1}$, else $\text{Phase_Seg2} = \text{Phase_Seg1} + 1$.

The minimum nominal length of Phase_Seg2 has to be regarded as well. Phase_Seg2 may not be shorter than the CAN controller's Information Processing Time, which is, depending on the actual implementation, in the range of $[0..2] t_q$.

The length of the Synchronisation Jump Width is set to its maximum value, which is the minimum of 4 and Phase_Seg1.

The oscillator tolerance range necessary for the resulting configuration is calculated by the formulas given in section 4.10.4

If more than one configuration is possible, that configuration allowing the highest oscillator tolerance range should be chosen.

CAN nodes with different system clocks require different configurations to come to the same bit rate. The calculation of the propagation time in the CAN network, based on the nodes with the longest delay times, is done once for the whole network.

The CAN system's oscillator tolerance range is limited by that node with the lowest tolerance range.

The calculation may show that bus length or bit rate have to be decreased or that the oscillator frequencies' stability has to be increased in order to find a protocol compliant configuration of the CAN bit timing.

The resulting configuration is written into the Bit Timing Register :

(Phase_Seg2-1)&(Phase_Seg1+Prop_Seg-1)&(SynchronisationJumpWidth-1)&(Prescaler-1)

4.10.6.1 Example for Bit Timing at high Baudrate

In this example, the frequency of **CAN_CLK** is 10 MHz, **BRP** is 0, the bit rate is 1 MBit/s.

t_q	100 ns	= t_{CAN_CLK}
delay of bus driver	50 ns	
delay of receiver circuit	30 ns	
delay of bus line (40m)	220 ns	
t_{Prop}	600 ns	= $6 \cdot t_q$
t_{SJW}	100 ns	= $1 \cdot t_q$
t_{TSeg1}	700 ns	= $t_{Prop} + t_{SJW}$
t_{TSeg2}	200 ns	= Information Processing Time + $1 \cdot t_q$
$t_{Sync-Seg}$	100 ns	= $1 \cdot t_q$
bit time	1000 ns	= $t_{Sync-Seg} + t_{TSeg1} + t_{TSeg2}$
tolerance for CAN_CLK	0.39 %	= $\frac{\min(PB1, PB2)}{2 \times (13 \times \text{bit time} - PB2)}$
		= $\frac{0.1 \mu s}{2 \times (13 \times 1 \mu s - 0.2 \mu s)}$

In this example, the concatenated bit time parameters are $(2-1)_3 \& (7-1)_4 \& (1-1)_2 \& (1-1)_6$, the Bit Timing Register is programmed to= 0x1600.

4.10.6.2 Example for Bit Timing at low Baudrate

In this example, the frequency of **CAN_CLK** is 2 MHz, **BRP** is 1, the bit rate is 100 KBit/s.

t_q	1 μs	= $2 \cdot t_{CAN_CLK}$
delay of bus driver	200 ns	
delay of receiver circuit	80 ns	
delay of bus line (40m)	220 ns	
t_{Prop}	1 μs	= $1 \cdot t_q$
t_{SJW}	4 μs	= $4 \cdot t_q$
t_{TSeg1}	5 μs	= $t_{Prop} + t_{SJW}$
t_{TSeg2}	4 μs	= Information Processing Time + $3 \cdot t_q$
$t_{Sync-Seg}$	1 μs	= $1 \cdot t_q$
bit time	10 μs	= $t_{Sync-Seg} + t_{TSeg1} + t_{TSeg2}$
tolerance for CAN_CLK	1.58 %	= $\frac{\min(PB1, PB2)}{2 \times (13 \times \text{bit time} - PB2)}$
		= $\frac{4 \mu s}{2 \times (13 \times 10 \mu s - 4 \mu s)}$

In this example, the concatenated bit time parameters are $(4-1)_3 \& (5-1)_4 \& (4-1)_2 \& (2-1)_6$, the Bit Timing Register is programmed to= 0x34C1.

5. CPU Interface

The interface of the C_CAN module consist of two parts (see figure 17). The Generic Interface which is a fix part of the C_CAN module and the Customer Interface which can be adapted to the customers requirements.

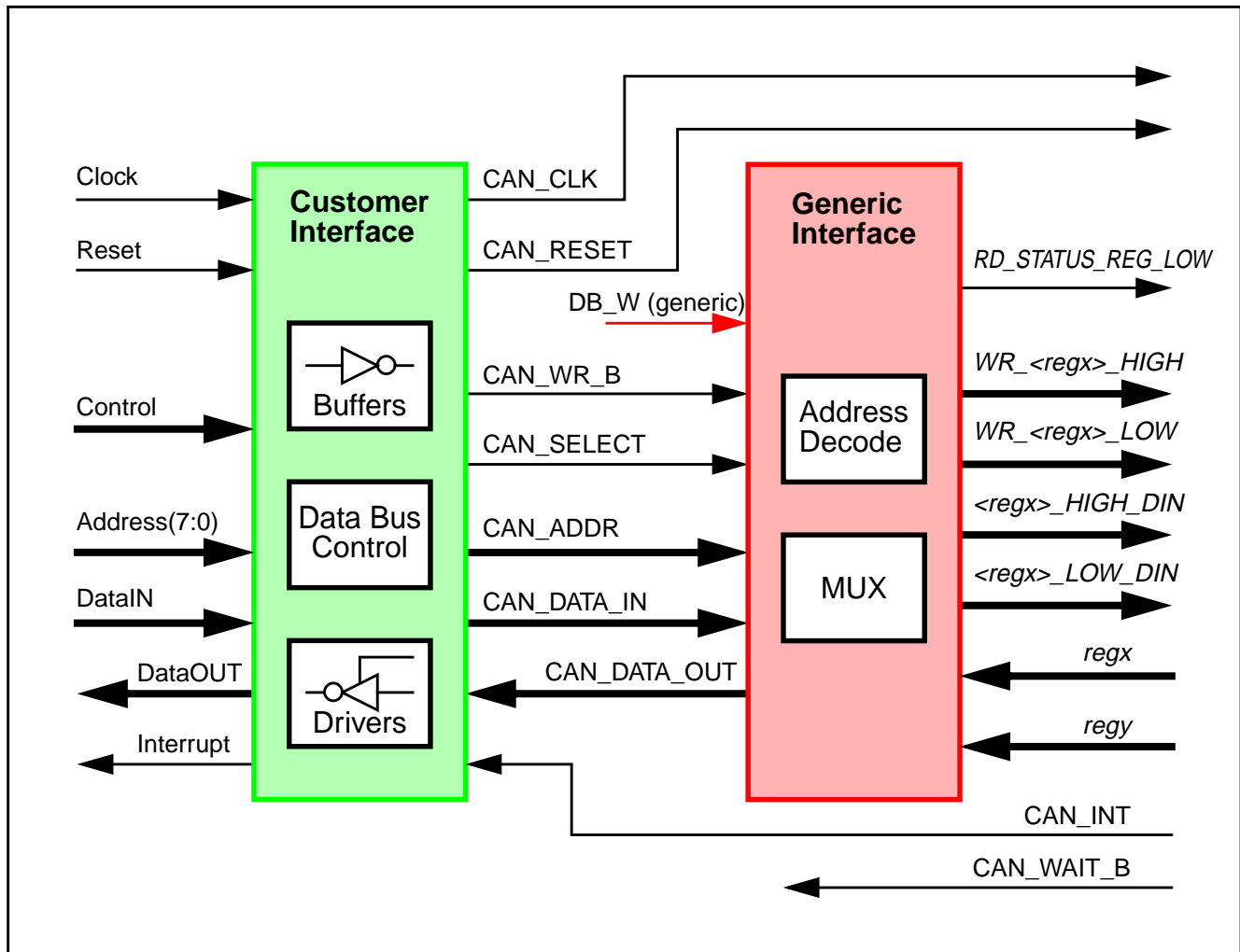


Figure 17: Structure of the module interface

5.1 Customer Interface

The purpose of the Customer Interface is to adapt the timings of the module-external signals to the timing requirements of the module and to buffer and drive the external signals. Number and names of the module pins depend on the Customer Interface used with the actual implementation.

The Customer Interface also supplies the clock and reset signals for the module.

The minimum clock frequency required to operate the C_CAN module with a bit rate of 1 MBit/s is 8 MHz. The maximum clock frequency is dependent on synthesis constraints and on the technology which is used for synthesis. The read / write timing of the C_CAN module depends on the Customer Interface used with the actual implementation.

Up to now three different Customer Interfaces are available for the C_CAN module. An 8-bit interface for the Motorola HC08 controller and two 16-bit interfaces to the AMBA APB bus from

ARM. A detailed description of these interfaces can be found in the Module Integration Guide., also describing how to build a new Customer Interface for other CPUs.

5.2 Timing of the WAIT output signal

Figure 18 shows the timing at the modules WAIT output pin **CAN_WAIT_B** with respect to the modules internal clock **CAN_CLK**. The number of clock cycles needed for a transfer between the IFx Registers and the Message RAM can vary between 3 and 6 clock cycles depending on the state of the Message Handler (idle, scan Message RAM, load/store shift register, ...).

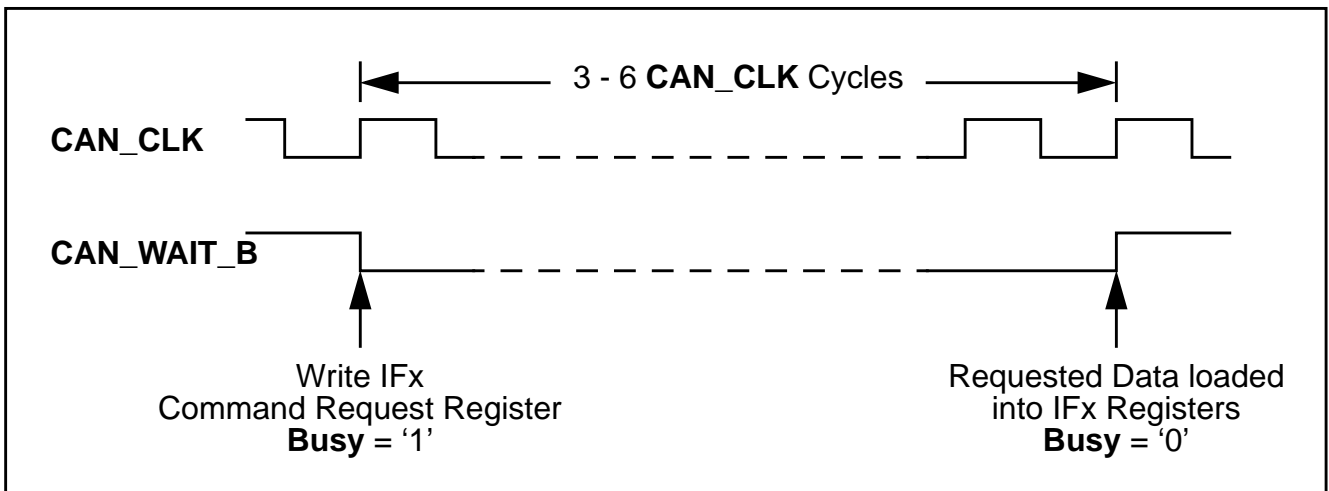


Figure 18: Timing of WAIT output signal **CAN_WAIT_B**

5.3 Interrupt Timing

Figure 19 shows the timing at the modules interrupt pin **CAN_INT** (active low) with respect to the modules internal clock **CAN_CLK**.

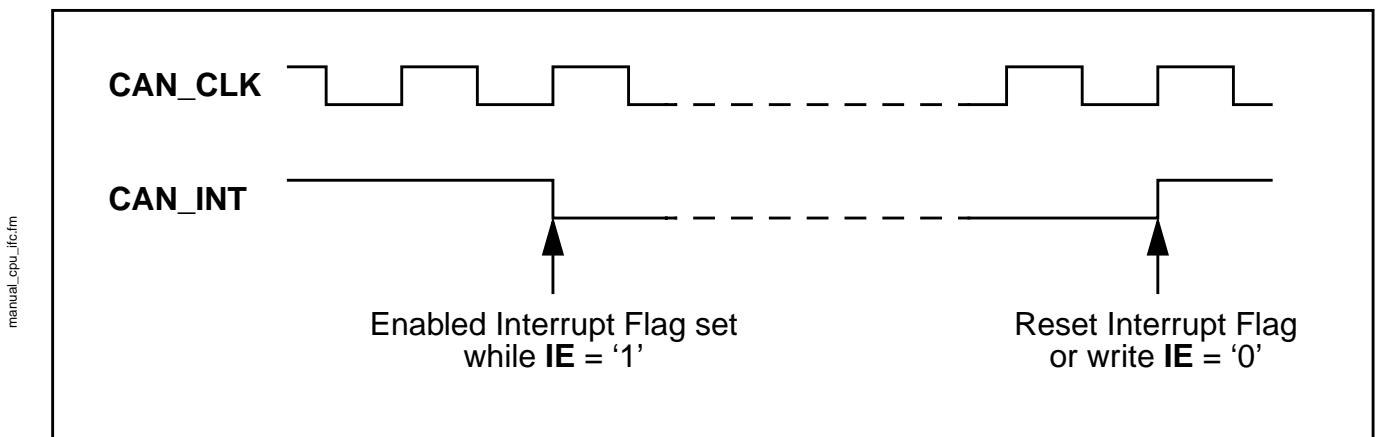


Figure 19: Timing of interrupt signal **CAN_INT**

manual_cpu_ifc.fm

6. Appendix

6.1 List of Figures

Figure 1: Block Diagram of the C_CAN	8
Figure 2: CAN Core in Silent Mode	10
Figure 3: CAN Core in Loop Back Mode	11
Figure 4: CAN Core in Loop Back combined with Silent Mode	11
Figure 5: C_CAN Register Summary	13
Figure 6: IF1 and IF2 Message Interface Register Sets	18
Figure 7: Structure of a Message Object in the Message Memory	22
Figure 8: Data Transfer between IFx Registers and Message RAM	28
Figure 9: Initialisation of a Transmit Object	30
Figure 10: Initialisation of a Receive Object	31
Figure 11: CPU Handling of a FIFO Buffer	33
Figure 12: Bit Timing	35
Figure 13: The Propagation Time Segment	36
Figure 14: Synchronisation on "late" and "early" Edges	38
Figure 15: Filtering of Short Dominant Spikes	39
Figure 16: Structure of the CAN Core's CAN Protocol Controller	40
Figure 17: Structure of the module interface	43
Figure 18: Timing of WAIT output signal CAN_WAIT_B	44
Figure 19: Timing of interrupt signal CAN_INT	44

EOF